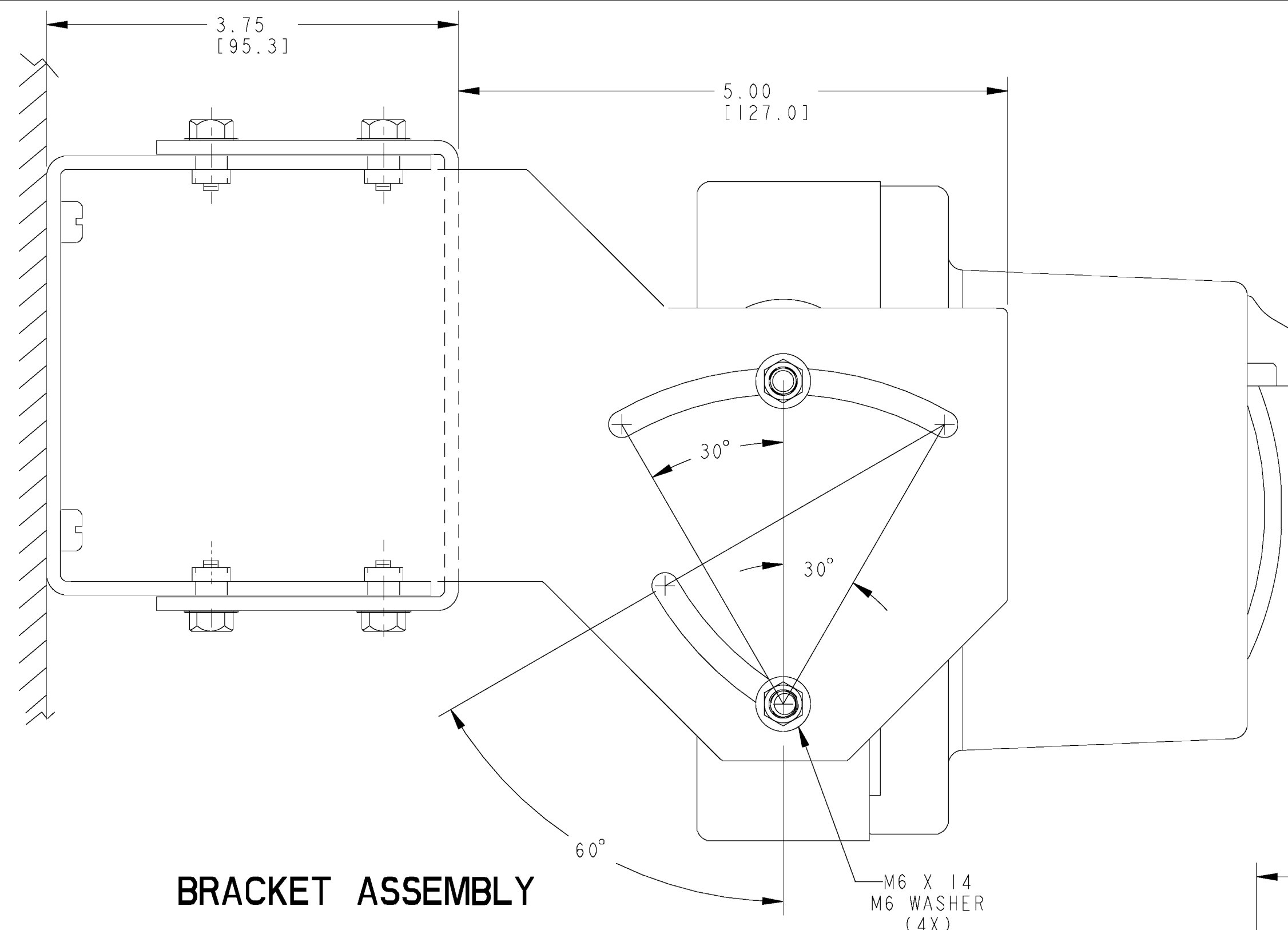
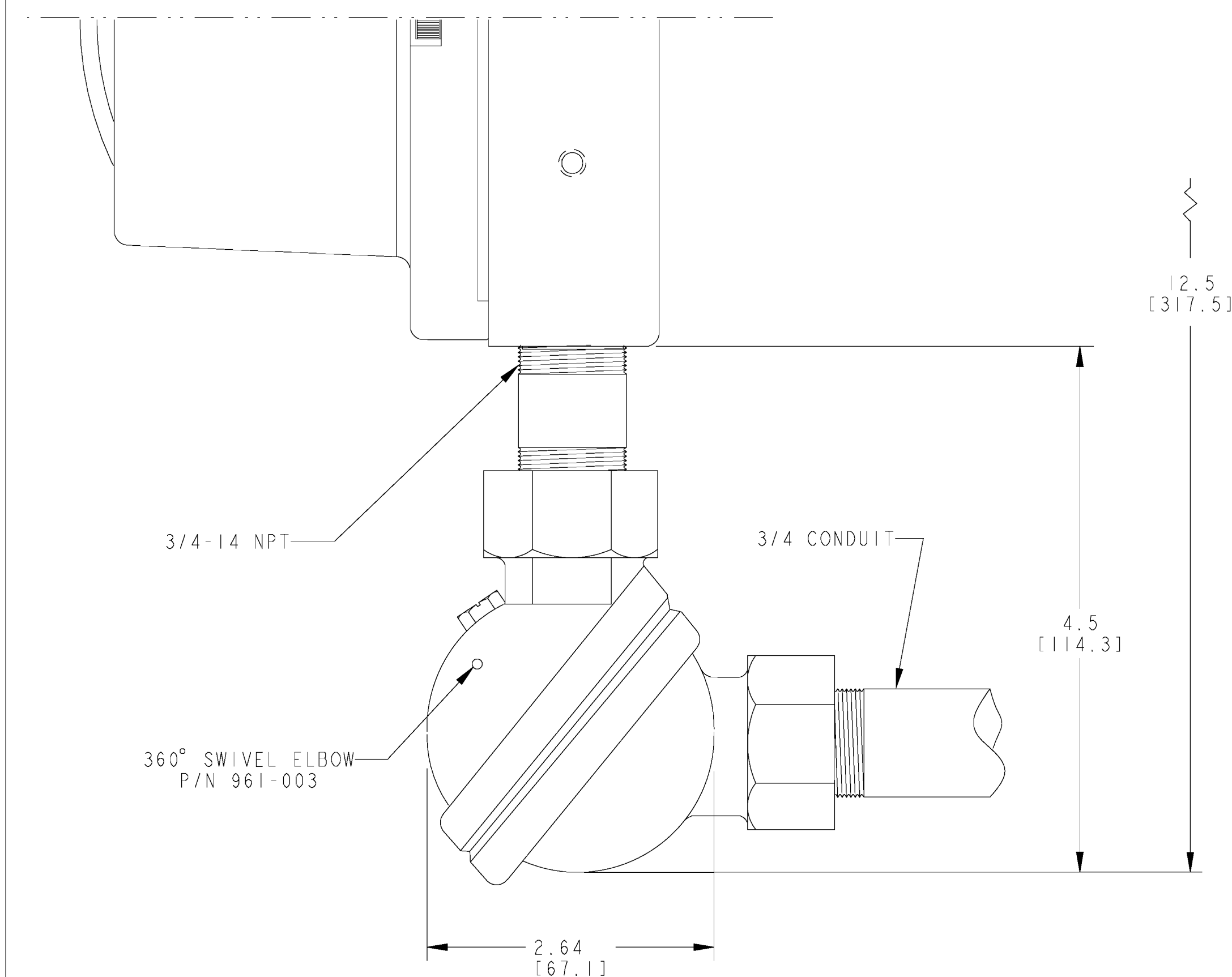


REAR VIEW WALL MOUNTING

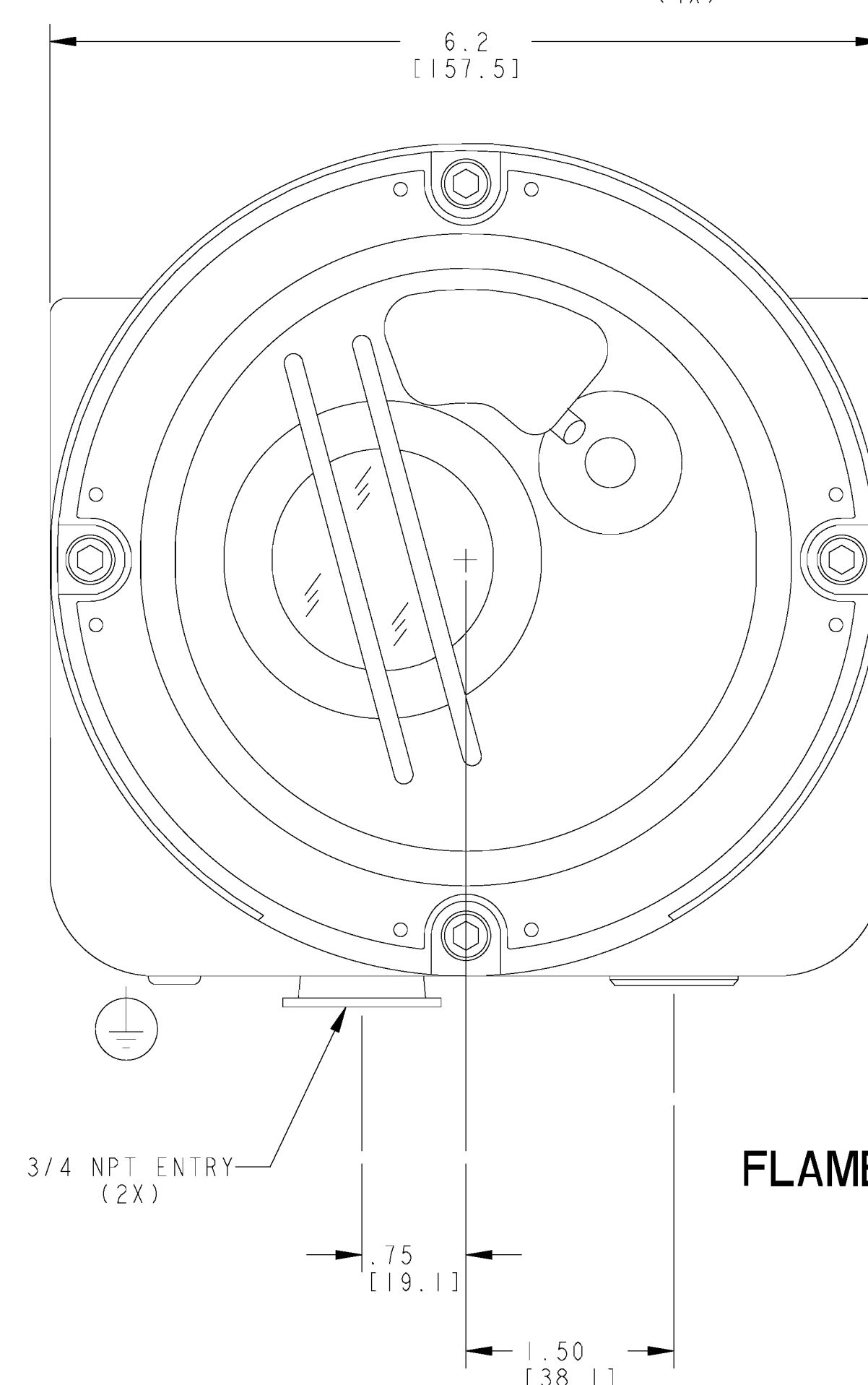


BRACKET ASSEMBLY

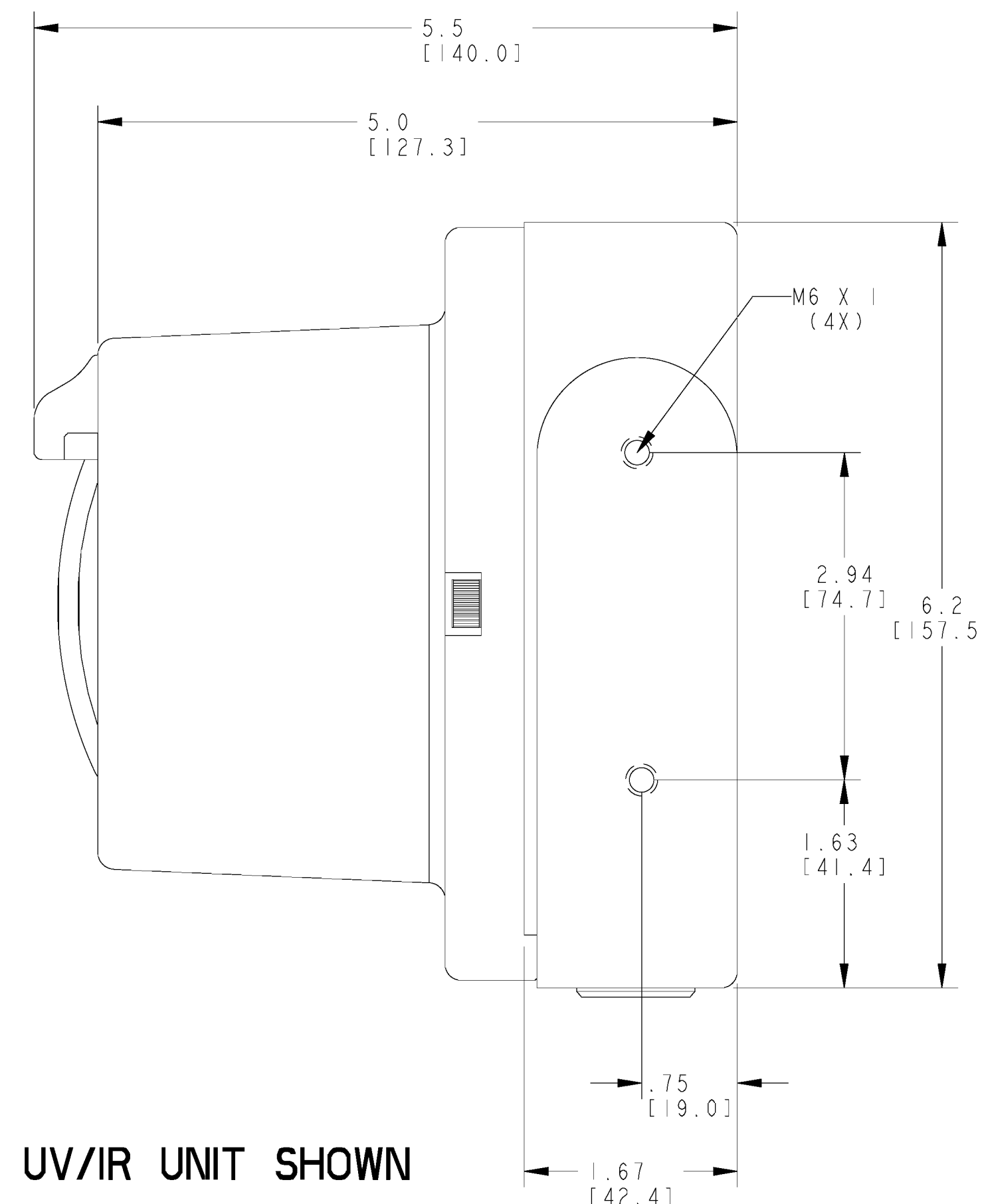
| PARTS LIST | | DESCRIPTION | |
|---------------------------|---------------------|-------------|------------------------|
| ITEM NO. | MATERIAL MASTER NO. | QTY. RECD. | |
| FIELD TERMINATIONS | | | |
| | | TB2 | TB1 |
| CHAS GND | 1 | | 10 GND |
| ALM C | 2 | | 9 GND |
| ALM 1 | 3 | | 8 +24VDC |
| ALM 2 | 4 | | 7 +24VDC |
| WARN C | 5 | | 6 DATA2- |
| WARN 1 | 6 | | 5 0-20mA DATA2+ |
| WARN 2 | 7 | | 4 ALMTEST |
| FLT C | 8 | | 3 RESET |
| FLT 1 | 9 | | 2 DATA- |
| FLT 2 | 10 | | 1 DATA+ |



EP SWIVEL MOUNTING HARDWARE



FLAMEGARD 5 UV/IR UNIT SHOWN



NOTE:
1. DIMENSIONS SHOWN IN INCHES [MILLIMETERS].
MILLIMETER DIMENSIONS SHOWN FOR REFERENCE ONLY.

| | | | |
|---|---|---|-------------------|
| AUTHORIZED COUNTRY | MSA MINE SAFETY APPLIANCES CO. PITTSBURGH, PA 15230, USA | THIS DRAWING IS THE PROPERTY OF MSA AND IS MADE AVAILABLE TO YOU IN CONFIDENCE AND SUBJECT TO THE FOLLOWING: NO PERMISSION IS GRANTED TO PUBLISH, USE, REPRODUCE, TRANSMIT OR DISCLOSE THIS DRAWING, OR ANY INFORMATION CONTAINED THEREIN TO OTHERS WITHOUT THE PRIOR WRITTEN CONSENT OF MSA EXCEPT FOR THE MANUFACTURE OF ARTICLES FOR MSA. SCHUTZVERMERK NACH DIN 34 BEACHTEN. MSA AUER GmbH. | DO NOT SCALE DWG. |
| MSA STANDARD SHOP PRACTICES APPLY | JOB NO. 30011124 PH0780 | APPROVAL AGENCY CODE: YES NIOSH ATTR. DOC.: | |
| CODE SYMBOLS | DATE 2-15-2011 | | |
| CRITICAL Δ | DRAWN BY GJT | | |
| MAJOR A Δ | CHECKED BY | | |
| MAJOR B Δ | PROJ. ENGR. | | |
| 100 X INSPECTION Δ | QUALITY ASSURANCE | | |
| TOLERANCES UNLESS OTHERWISE SPECIFIED | MANUFACTURING | | |
| FRACTIONAL ± 1/64 | | | |
| 2 PL DEC. ± 0.01 | | | |
| 3 PL DEC. ± 0.005 | | | |
| ANGULAR ± 1/2 deg. | | | |
| SEE MSA STANDARD SHOP PRACTICES FOR DRILLED HOLE TOLERANCES | | | |
| | D. | CADD REF: SK3015-1035 | SCALE: 1.000 |
| | | SK3015-1035 | SHEET 1 OF 1 |

**INSTALLATION OUTLINE,
FLAMEGARD 5 UV/IR**

LIFECYCLE STATE
Design

REVISION
A