

**Canadian Master Distributor**

**STRENGTH THROUGH DISTRIBUTION**



**Head Office & Distribution Center**  
3635 78 Ave NW, Edmonton, AB  
Canada, T6B 3J9  
Phone: 780-465-9000  
Fax: 780-465-9995  
Email: sales@alteksupply.com  
Website: www.alteksupply.com



**Head Office & Distribution Center**  
3635 78 Ave NW, Edmonton, AB  
Canada, T6B 3J9  
Phone: 780-465-9000  
Fax: 780-465-9995  
Email: sales@alteksupply.com  
Website: www.alteksupply.com



# ***Cast Steel Valves***

**Gate / Globe / Check / Plug**



# Table of Contents

## Introduction

**Quality** is our commitment, while competitive price and timely delivery is our promise. **From** the beginning, the DHV name has become associated with quality in every step of our manufacturing process. For the past decades our customers worldwide have trusted us to provide them with consistent and reliable valve products in their most severe and critical service. **We** at DHV are proud of our ability to meet the stringent requirements of Refining, Gas/Oil, Pipeline, Petrochemical and Power Plant.

**DHV** Gate / Globe / Check Valves are designed, manufactured and tested to the latest manufacturing specifications of the American & International Standards Organizations. We welcome your challenges and look forward to serving your critical project needs.

• <b>Figure Number System</b> .....	2
• <b>Gate Valve</b> .....	3
• <b>Globe Valve</b> .....	6
• <b>Check Valve</b> .....	9
• <b>Parallel Slide Gate Valve</b> .....	12
• <b>Pressure Seal Gate Valve</b> .....	14
• <b>Pressure Seal Globe Valve</b> .....	17
• <b>Pressure Seal Check Valve</b> .....	20
• <b>API 6D Slab Gate Valve</b> .....	23
• <b>API 6D Expanding Gate Valve</b> .....	26
• <b>API 6D Swing Check Valve</b> .....	29
• <b>API 6D Piston Check Valve</b> .....	32
• <b>Plug Valve</b> .....	34
• <b>Dual-Plate Wafer Check Valve</b> .....	36
• <b>Term &amp; Conditions</b> .....	38



# DHV Figure Numbers Cast Steel Valves

### Type C

- 1 = OS & Y Gate
- 2 = Globe
- 3 = Swing Check
- 4 = NRS GATE
- 5 = Pressure Seal Bonnet Gate
- 6 = Pressure Seal Bonnet Globe
- 7 = Pressure Seal Bonnet Check
- 8 = Y Pattern
- 9 = Angle
- A = Conduit Gate
- B = Plug Valve
- C = Strainer
- D = Soft Seat Block & Bleed Gate
- E = API 6D Swing Check
- F = Twin Seal Plug Valve
- G = Parallel Slide Gate
- H = Piston Check
- X = Special

### Type WC

- 1 = Single-Plate Wafer Check
- 2 = Dual-Plate Wafer Check
- 3 = Lift Wafer Check
- X = Special

### Pressure Class

- 1 = Class 150
- 2 = Class 300
- 3 = Class 600
- 4 = Class 900
- 5 = Class 1500
- 6 = Class 2500

### Body and Bonnet Material

- 0 = ASTM A216 WCB
- 1 = ASTM A216 WCC
- 2 = ASTM A352 LCB
- 3 = ASTM A352 LCC
- 4 = ASTM A351 CF8M
- 5 = ASTM A351 CF8
- 6 = ASTM A351 CF3M
- 7 = ASTM A351 CF3
- 8 = ASTM A890 4A
- X = Special

### End Connections

- F = Raised Face Flanged End
- R = Ring Type Joint Flanged End
- P = Plain Flate Face Flanged End
- B = Butt-welding End
- T = Threaded End
- S = Socket-welding End
- W = Wafer-Type
- L = Lug-Type or Full Flange
- D = Double Flange-Type
- X = Other Type End Connection

### Conduit Gate & Plug Valve Seat Type

- None = Other Valves
- S = Soft Seal
- M = Metal Seal

*8" OS & Y Gate valve, class 300, A216 WCB body & bonnet, raised face, flanged end, with HF / HF Trim, Gear Operated*

## Example: 8"-C120F2-XX-X-GO

### Code

- C = Cast Steel Valves
- F = Forged Steel Valves
- I = Cast Iron Valves
- B = Ball Valves
- WB = Wafer Butterfly
- WC = Wafer Check Valve
- W = Wellhead Valves

### Trim Material

	Seat Seal Face	Disc Seal Face	Stem Material
1 =	13CR	13CR	F6
2 =	HF	HF	F6
3 =	HF	13CR	F6
4 =	Monel	Monel	Monel
5 =	316 SS	316 SS	F316
6 =	HF	316 SS	F316
7 =	304 SS	304 SS	F304
8 =	HF	304 SS	F304
9 =	Inconel	Inconel	Inconel
A =	HF	HF	F316
B =	Duplex S.S.		
X =	Special		

### Operator

- None = Lever or Handwheel Operator
- CO = Chain Wheel Operator
- GO = Gear Operator
- BS = Bare Stem
- EM = Electric Motor Operator
- PA = Pneumatic Actuator
- HA = Hydraulic Actuator
- PH = Pneumatic-Hydraulic Actuator

### Conduit Gate Type

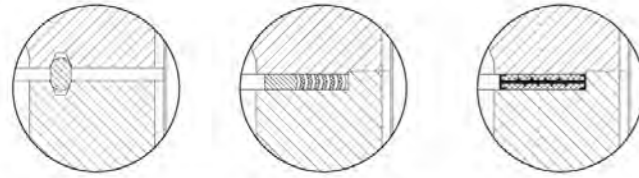
- None = Other Valves
- EG = Expanding Gate
- SG = Slab Gate



# Gate Valve

## Material List

### Flange Gasket



Ring Type Joint  
≥ 600lb

Spiral Wound Gasket  
300lb

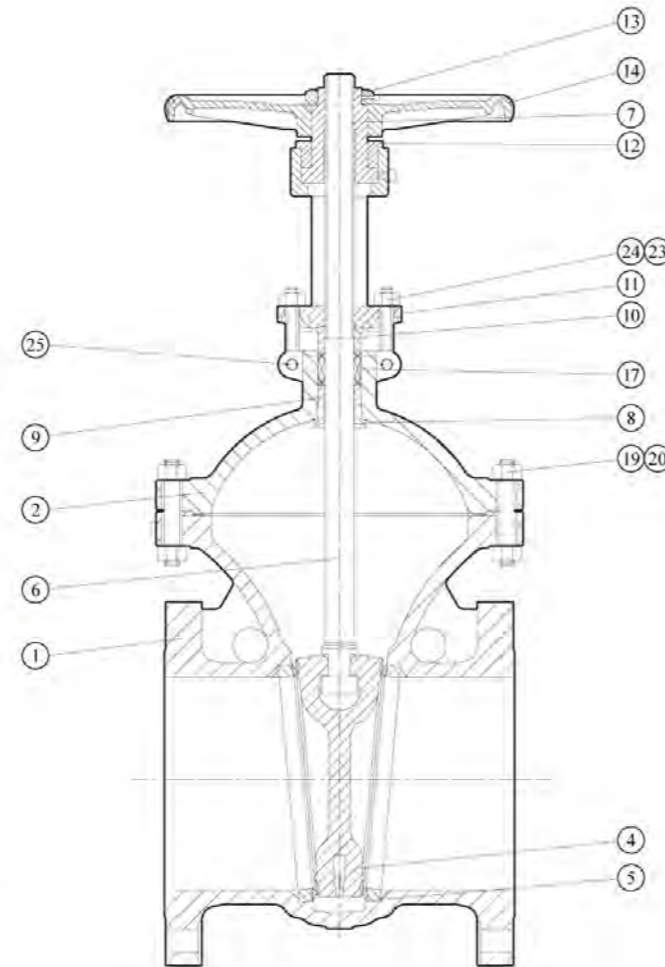
Metal Backup  
Graphite Gasket  
150lb

### Trim Material

DHV Trim Code	Disc Surface Part No.4	Seat Ring Surface Part No.5	Stem Part No.6	Backseat Part No.8
1	13CR	13CR	F6A	420
2	HF	HF	F6A	420
3	13CR	HF	F6A	420
4	Monel	Monel	Monel	Monel
5	316	316	F316	316
6	316	HF	F316	316
7	304	304	F304	304
8	304	HF	F304	304
9	INCONEL	INCONEL	INCONEL	INCONEL
A	HF	HF	F6A	HF
B	DSS	DSS	DSS	DSS

### Standard Material Specifications

Part Name	Carbon Steel to ASTM			Alloy Steel to ASTM			Stainless Steel to ASTM			
1	Body	A216 WCB	A352 LCB	A352 LCC	A217 WC6	A217 C5	A217 C12	A351 CF8	A351 CF8M	A890 4A
2	Bonnet	A216 WCB	A352 LCB	A352 LCC	A217 WC6	A217 C5	A217 C12	A351 CF8	A351 CF8M	A890 4A
4	Disc	A216 WCB	A352 LCB	A352 LCC	A217 WC6	A217 C5	A217 C12	A351 CF8	A351 CF8M	A890 4A
5	Seat Ring	A105	A350 LF2	A350 LF2	A105	A105	A105	A182 F304	A182 F316	A182 F51
7	Stem Nut	A439 D2						B150 C61900		
9	Packing Ring	A276 420	A276 420	A276 420	A276 420	A276 420	A276 420	A276 304	A276 316	A182 F51
10	Packing Gland	A276 420	A276 420	A276 420	A276 420	A276 420	A276 420	A276 304	A276 316	A182 F51
11	Gland Flange	A216 WCB	A352 LCB	A352 LCC	A217 WC6	A217 C5	A217 C12	A351 CF8	A351 CF8M	A890 4A
12	Gland	Steel								
13	Handwheel Nut	Steel								
14	Handwheel	Ductile Iron								
17	Packing	Graphite								
19	Bonnet Bolt	A193 B7	A320 L7	A320 L7	A193 B16	A193 B16	A193 B16	A193 B8	A193 B8M	A193 B8MLCuN
20	Bonnet Nut	A194 2H	A194 7	A194 7	A194 4	A194 4	A194 4	A194 8	A194 8M	A194 8MLCuNa
23	Eyebolt	A193 B7	A320 L7	A320 L7	A193 B16	A193 B16	A193 B16	A193 B8	A193 B8M	A193 B8MLCuN
24	Eyebolt Nut	A194 2H	A194 7	A194 7	A194 4	A194 4	A194 4	A194 8	A194 8M	A194 8MLCuNa
25	Pin	Steel								



# Gate Valve

## Feature & Dimension

### Features

- OS & Y, Rising Stem
- Flexible Wedge
- Bolted Bonnet
- Renewable Seat Rings Welded or Threaded
- Flanged Ends or Buttwelding Ends

### Specifications

Basic Design: **API 600 ASME B16.34**

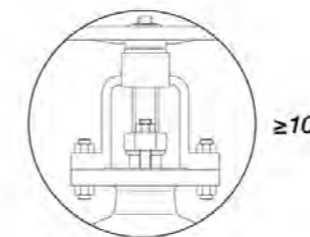
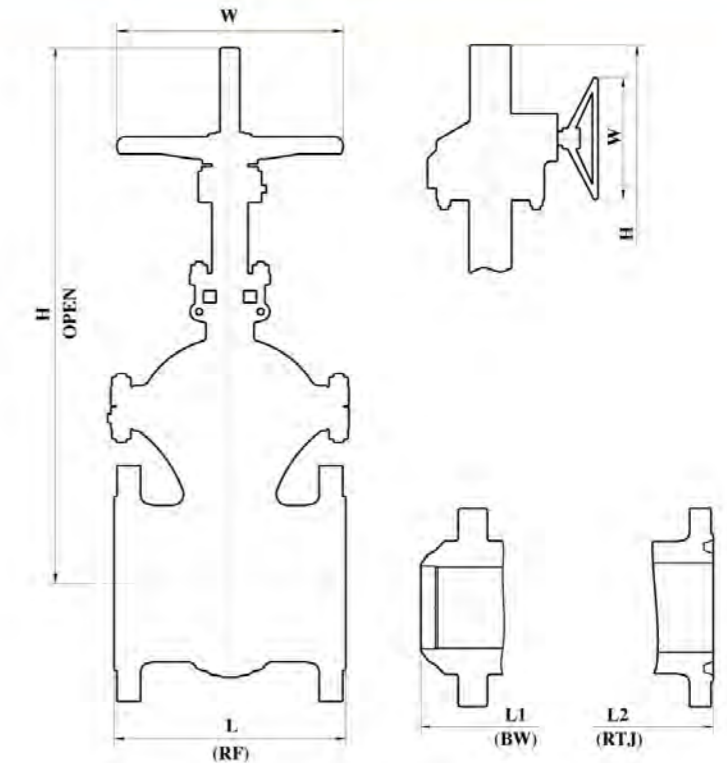
Face to Face: **ASME B16.10**

End Flange:  
2"-24" **ASME B16.5**  
26"-36" **ASME B16.47**

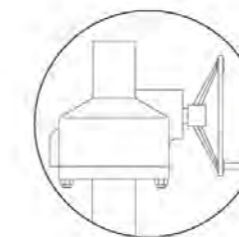
B.W End: **ASME B16.25**

Test and Inspection: **API 598**

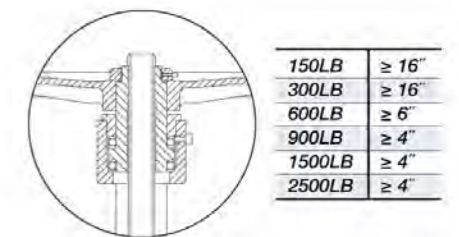
Manufacturing to NACE MR0103 on request



Separate Yoke



Bevel Gear



Bearing Yoke

### 150LB

Description	Valve Size															
	2	3	4	6	8	10	12	14	16	20	24	28	30	32	36	
Flanged End L	in	7.00	8.00	9.00	10.50	11.50	13.00	14.00	15.00	16.00	18.00	20.00	24.00	24.00	26.00	28.00
	mm	178	203	229	267	292	330	356	381	406	457	508	610	610	660	711
Weld End L <sub>1</sub>	in	8.50	11.12	12.00	15.88	16.50	18.00	19.75	22.50	24.00	28.00	32.00	36.00	36.00	38.00	40.00
	mm	216	283	305	403	419	457	502	572	610	711	813	914	914	965	1016
Height to Open H	in	16.38	19.21	23.62	31.34	38.23	45.83	53.58	58.98	67.24	82.68	100.91	117.17	124.45	130.31	147.09
	mm	416	488	600	796	971	1164	1361	1498	1708	2100	2563	2976	3161	3310	3736
Handwheel Dia W	in	7.90	9.80	11.80	13.80	15.80	17.70	17.70	19.70	23.60	26.80	18.10	24.00	24.00	24.00	24.00
	mm	200	250	300	350	400	450	450	500	600	680	460	610	610	610	610
Weight	RF Kg	20	35	51	83	135	210	286	389	492	800	1416	1910	2538	2977	3389
	BW Kg	16	26	43	71	116	160	243	354	488	764	1382	1848	2253	2509	3319





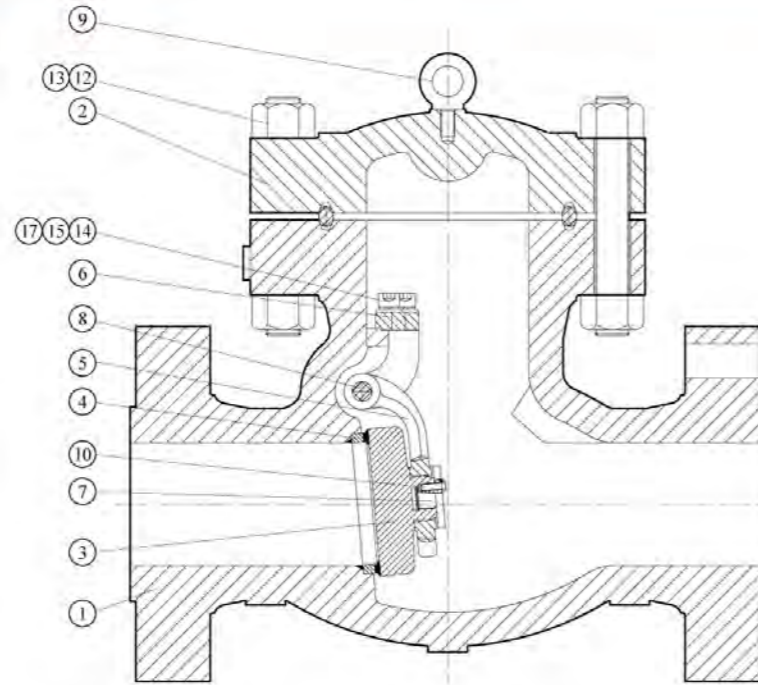


# Check Valve

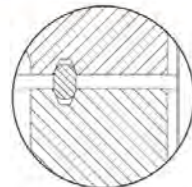
## Material List

### Trim Material

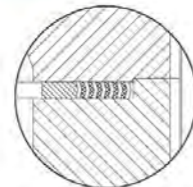
DHV Trim Code	Disc Surface Part No.3	Seat Ring Surface Part No.4
1	13CR	13CR
2	HF	HF
3	13CR	HF
4	Monel	Monel
5	316	316
6	316	HF
7	304	304
8	304	HF
9	INCONEL	INCONEL
A	HF	HF
B	DSS	DSS



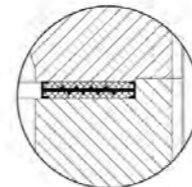
### Flange Gasket



Ring Type Joint  
≥ 600lb



Spiral Wound Gasket  
300lb



Metal Backup  
Graphite Gasket  
150lb

### Standard Material Specifications

Part Name	Carbon Steel to ASTM			Alloy Steel to ASTM			Stainless Steel to ASTM		
1 Body	A216 WCB	A352 LCB	A352 LCC	A217 WC6	A217 C5	A217 C12	A351 CF8	A351 CF8M	A890 4A
2 Bonnet	A216 WCB	A352 LCB	A352 LCC	A217 WC6	A217 C5	A217 C12	A351 CF8	A351 CF8M	A890 4A
3 Disc	A216 WCB	A352 LCB	A352 LCC	A217 WC6	A217 C5	A217 C12	A351 CF8	A351 CF8M	A890 4A
4 Seat Ring	A105	A350 LF2	A350 LF2	A105	A105	A105	A182 F304	A182 F316	A182 F51
5 Hinge	A216 WCB	A352 LCB	A352 LCC	A217 WC6	A217 C5	A217 C12	A351 CF8	A351 CF8M	A890 4A
6 Swing Arm	A216 WCB	A352 LCB	A352 LCC	A217 WC6	A217 C5	A217 C12	A351 CF8	A351 CF8M	A890 4A
7 Disc Screw	Stainless Steel								
8 Hinge Pin	Stainless Steel								
9 Screw	Stainless Steel								
10 Stud	Stainless Steel								
12 Bonnet Bolt	A193 B7	A320 L7	A320 L7	A193 B16	A193 B16	A193 B16	A193 B8	A193 B8M	A193 B8MLCuN
13 Bonnet Nut	A194 2H	A194 7	A194 7	A194 4	A194 4	A194 4	A194 8	A194 8M	A194 8MLCuNa
14 Stud	Stainless Steel								
15 Spring Washer	Stainless Steel								
17 Washer	Stainless Steel								



# Check Valve

## Feature & Dimension

### Features

- Bolted Bonnet
- Swing Type Disc
- Renewable Seat Rings Welded or Threaded
- Flanged Ends or Buttwelding Ends

### Specifications

Basic Design: **BS 1868 API 594**

Face to Face: **ASME B16.10**

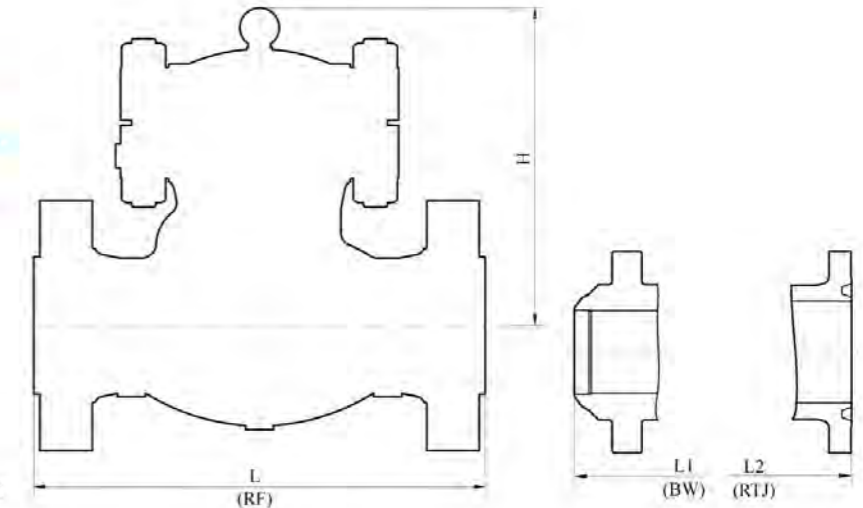
End Flange:  
2"-24" **ASME B16.5**

26"-30" **ASME B16.47**

B.W End: **ASME B16.25**

Test and Inspection: **API 598**

Manufacturing to NACE MR0103 on request



### 150LB

Description	Valve Size												
	2	3	4	6	8	10	12	14	16	20	24	30	
Flanged End L	in	8.00	9.50	11.50	14.00	19.50	24.50	27.50	31.00	34.00	38.50	51.00	60.00
	mm	203	241	292	356	495	622	699	787	864	978	1295	1524
Weld End L1	in	8.00	9.50	11.50	14.00	19.50	24.50	27.50	31.00	34.00	38.50	51.00	60.00
	mm	203	241	292	356	495	622	699	787	864	978	1295	1524
Height H	in	7.05	8.19	9.49	10.79	14.37	15.98	18.11	20.08	22.87	27.56	32.83	38.58
	mm	179	208	241	274	365	406	460	510	581	700	834	980
Weight	RF Kg	16	25	45	73	135	200	302	376	577	870	948	2030
	BW Kg	11	16	32	51	100	166	247	290	503	770	809	1770

### 300LB

Description	Valve Size											
	2	3	4	6	8	10	12	14	16	20	24	
Flanged End L	in	10.50	12.50	14.00	17.50	21.00	24.50	28.00	33.00	34.00	40.00	51.00
	mm	267	318	356	445	533	622	711	838	864	1016	1346
Weld End L1	in	10.50	12.50	14.00	17.50	21.00	24.50	28.00	33.00	34.00	40.00	51.00
	mm	267	318	356	445	533	622	711	838	864	1016	1346
Height H	in	7.87	9.06	9.80	12.40	15.00	17.56	20.31	21.69	23.82	29.02	32.83
	mm	200	230	249	315	381	446	516	551	605	737	834
Weight	RF Kg	25	57	64	120	195	329	460	576	851	1335	1808
	BW Kg	21	47	52	103	159	251	424	436	777	975	1752



# Check Valve

## Dimension

### 600LB

Description	Valve Size										
	2	3	4	6	8	10	12	14	16	20	
Flanged End L	in	11.50	14.00	17.00	22.00	26.00	31.00	33.00	35.00	39.00	47.00
	mm	292	356	432	559	660	787	838	889	991	1194
Weld End L1	in	11.50	14.00	17.00	22.00	26.00	31.00	33.00	35.00	39.00	47.00
	mm	292	356	432	559	660	787	838	889	991	1194
RTJ L2	in	11.62	14.12	17.12	22.12	26.12	31.12	33.12	35.12	39.12	47.25
	mm	295	359	435	562	663	790	841	892	994	1200
Height H	in	8.19	10.28	11.65	15.16	17.68	19.41	22.05	24.02	25.98	31.42
	mm	208	261	296	385	449	493	560	610	660	798
Weight	RF	Kg	30	63	99	220	345	509	718	865	1280
	BW	Kg	26	53	70	157	262	337	592	674	902

### 900LB

Description	Valve Size						
	2	3	4	6	8	10	12
Flanged End L	in	14.50	15.00	18.00	24.00	29.00	33.00
	mm	368	381	457	610	737	838
Weld End L1	in	14.50	15.00	18.00	24.00	29.00	33.00
	mm	368	381	457	610	737	838
RTJ L2	in	14.62	15.12	18.12	24.12	29.12	33.12
	mm	372	384	460	613	740	841
Height H	in	11.26	11.81	13.62	16.61	21.02	23.03
	mm	286	300	346	422	534	585
Weight	RF	Kg	70	110	155	290	525
	BW	Kg	50	77	118	215	402

### 1500LB

Description	Valve Size						
	2	3	4	6	8	10	12
Flanged End L	in	14.50	18.50	21.50	27.75	32.75	39.00
	mm	368	470	546	705	832	991
Weld End L1	in	14.50	18.50	21.50	27.75	32.75	39.00
	mm	368	470	546	705	832	991
RTJ L2	in	14.62	18.62	21.62	28.00	33.13	39.38
	mm	371	473	549	711	841	1000
Height H	in	11.26	13.62	15.31	20.08	24.33	28.27
	mm	286	346	389	510	618	718
Weight	RF	Kg	70	155	220	550	922
	BW	Kg	50	120	165	452	662

### 2500LB

Description	Valve Size						
	2	3	4	6	8	10	12
Flanged End L	in	17.75	22.76	26.50	36.00	40.24	50.00
	mm	451	578	673	914	1022	1270
Weld End L1	in	17.75	22.76	26.50	36.00	40.24	50.00
	mm	451	578	673	914	1022	1270
RTJ L2	in	17.87	23.00	26.88	36.50	40.87	50.87
	mm	454	584	683	927	1038	1292
Height H	in	13.62	15.16	20.16	24.21	27.99	33.46
	mm	346	385	512	615	711	850
Weight	RF	Kg	125	280	675	906	2420
	BW	Kg	90	210	560	765	1980

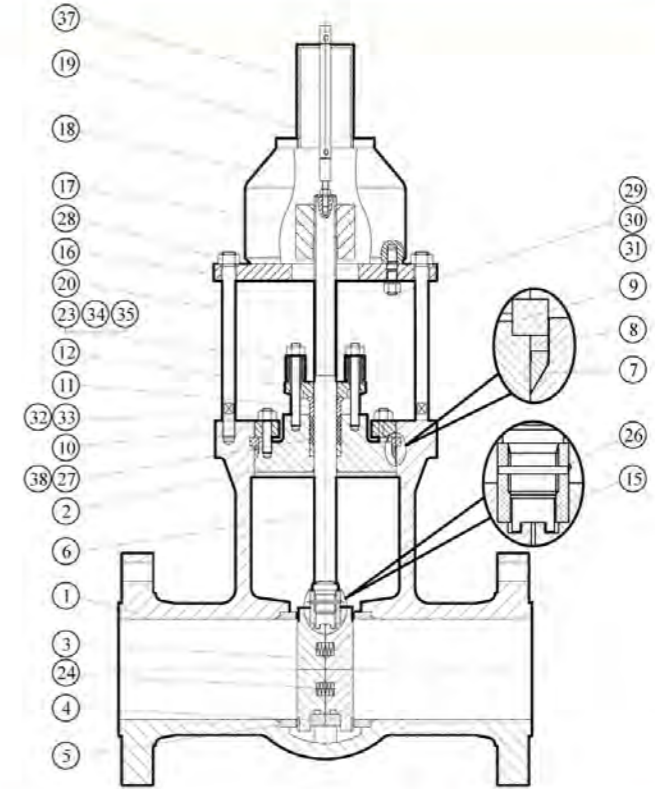


# Parallel Slide Gate Valve

## Material List

### Trim Material

DHV	Bonnet	Gate	Seat
Trim	backseat	Surface	Surface
Code	Part No.2	Part No.3	Part No.5
4	Monel	Monel	Monel
5	316	316	F316
6	316	316	HF
9	INCONEL	INCONEL	INCONEL
A	HF	HF	F6A
B	DSS	DSS	DSS



### Standard Material Specifications

Part Name	Carbon Steel to ASTM			Alloy Steel to ASTM			Stainless Steel to ASTM		
1 Body	A216 WCB	A352 LCB	A352 LCC	A217 WC6	A217 C5	A105	A351 CF8	A351 CF8M	A890 4A
2 Bonnet	A105	A350 LF2	A350 LF2	A105	A105	A182 F316	A182 F304	A182 F316	A182 F51
3 Gate	A182 F316	A182 F316	A182 F316	A182 F316	A182 F316	A182 F316	A182 F316	A182 F316	A182 F51
4 Gate Retainer	A182 F316	A182 F316	A182 F316	A182 F316	A182 F316	A182 F316	A182 F316	A182 F316	A182 F51
5 Seat	A182 F316	A182 F316	A182 F316	A182 F316	A182 F316	A182 F316	A182 F316	A182 F316	A182 F51
6 Stem	A564 S17400								
7 Silver Plated-Gasket	A182 F316	A182 F316	A182 F316	A182 F316	A182 F316	A182 F316	A182 F316	A182 F316	A182 F51
8 Thrust Ring	A182 F316	A182 F316	A182 F316	A182 F316	A182 F316	A182 F316	A182 F316	A182 F316	A182 F51
9 Perdant Collet	A105	A350 LF2	A350 LF2	A105	A105	A105	A182 F304	A182 F316	A182 F51
10 Pressure Plate	A105	A350 LF2	A350 LF2	A105	A105	A105	A182 F304	A182 F316	A182 F51
11 Gland	A182 F316	A182 F316	A182 F316	A182 F316	A182 F316	A182 F316	A182 F316	A182 F316	A182 F51
12 Gland Flange	A216 WCB	A352 LCB	A352 LCC	A217 WC6	A217 C5	A217 C12	A351 CF8	A351 CF8M	A890 4A
15 Stop Plate	A182 F316	A182 F316	A182 F316	A182 F316	A182 F316	A182 F316	A182 F316	A182 F316	A182 F51
16 Gland-adaptor Plate	A105	A350 LF2	A350 LF2	A105	A105	A105	A182 F304	A182 F316	A182 F51
17 Stem Nut	B150 C61900								
18 Gear	Steel								
19 Dustproof Cover	Steel								
20 Yoke	Steel								
23 Belleville Spring	Steel								
24 Spring	Steel								
26 Pin	A182 F316	A182 F316	A182 F316	A182 F316	A182 F316	A182 F316	A182 F316	A182 F316	A182 F51
27 Packing	Graphite								
28 Nut	A194 2H	A194 7	A194 7	A194 4	A194 4	A193 B16	A194 8	A194 8M	A194 8MLCuNa
29 Bolt	A193 B7	A320 L7	A320 L7	A193 B16	A193 B16	A194 4	A193 B8	A193 B8M	A193 B8MLCuN
30 Nut	A194 2H	A194 7	A194 7	A194 4	A194 4	A193 B16	A194 8	A194 8M	A194 8MLCuNa
31 Spring Washer	Steel								
32 Bolt	A193 B7	A320 L7	A320 L7	A193 B16	A193 B16	A194 4	A193 B8	A193 B8M	A193 B8MLCuN
33 Nut	A194 2H	A194 7	A194 7	A194 4	A194 4	A193 B16	A194 8	A194 8M	A194 8MLCuNa
34 Bolt	A193 B7	A320 L7	A320 L7	A193 B16	A193 B16	A194 4	A193 B8	A193 B8M	A193 B8MLCuN
35 Nut	A194 2H	A194 7	A194 7	A194 4	A194 4	A194 4	A194 8	A194 8M	A194 8MLCuNa
37 Stem Indicator	Steel								
38 Packing Ring	B150 C61900								







# Pressure Seal Gate Valve

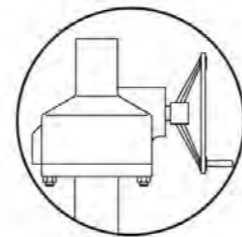
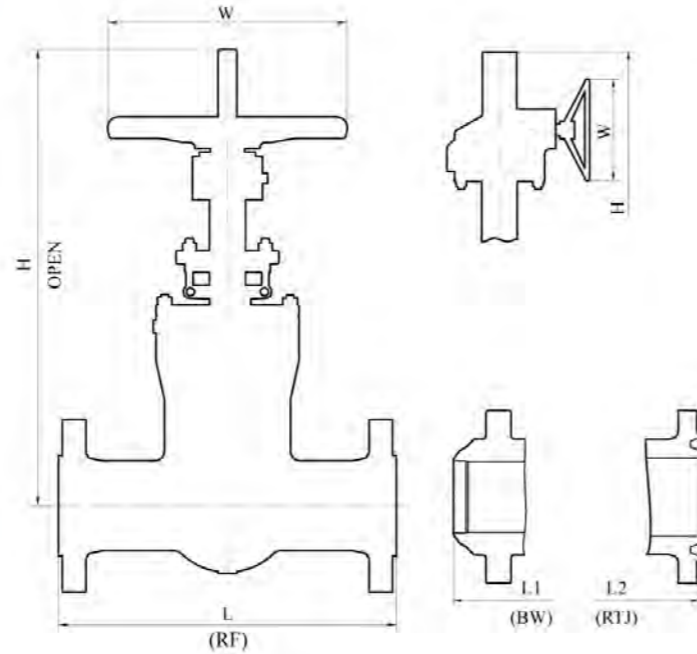
## Feature & Dimension

### Features

- OS & Y, Rising Stem
- Flexible Wedge
- Body seat rings in all sizes are seal-welded into the body
- Bonnet Seal achieved by fluid pressure
- Hard faced backseat
- Flanged Ends or Buttwelding Ends
- By-pass system available upon request
- ISO pad available upon request

### Specifications

- Basic Design: **ASME B16.34**
- Face to Face: **ASME B16.10**
- End Flange: **ASME B16.5**
- B.W End: **ASME B16.25**
- Test and Inspection: **API 598**
- Manufacturing to NACE MR0103 on request



Bevel Gear

600LB	≥ 14"
900LB	≥ 10"
1500LB	≥ 8"
2500LB	≥ 8"

600LB		Valve Size											
Description		2	3	4	6	8	10	12	14	16	20	24	30
Flanged End L	in	11.50	14.00	17.00	22.00	26.00	31.00	33.00	35.00	39.00	47.00	55.00	65.00
	mm	292	356	432	559	660	787	838	889	991	1194	1397	1651
Weld End L1	in	11.50	14.00	17.00	22.00	26.00	31.00	33.00	35.00	39.00	47.00	55.00	65.00
	mm	292	356	432	559	660	787	838	889	991	1194	1397	1651
RTJ L2	in	11.62	14.12	17.12	22.12	26.12	31.12	33.12	35.12	39.12	47.25	55.38	65.50
	mm	295	359	435	562	663	790	841	892	994	1200	1407	1664
Height H	in	22.76	25.73	35.26	41.67	48.88	58.30	69.10	71.65	83.42	95.30	115.75	146.04
	mm	578	654	896	1058	1242	1481	1755	1820	2119	2421	2940	3709
Handwheel Dia W	in	9.80	11.80	13.80	17.70	19.70	23.60	26.80	18.10	24.00	27.60	27.60	39.40
	mm	250	300	350	450	500	600	680	460	610	700	700	1000
Weight	RF Kg	69	98	145	240	314	421	505	657	887	1416	2038	3185
	BW Kg	61	82	113	168	211	263	312	426	559	872	1259	1970



# Pressure Seal Gate Valve

## Dimension

900LB		Valve Size										
Description		2	3	4	6	8	10	12	14	16	20	24
Flanged End L	in	14.50	15.00	18.00	24.00	29.00	33.00	38.00	40.50	44.50	52.00	61.00
	mm	368	381	457	610	737	838	965	1029	1130	1321	1549
Weld End L1	in	8.50	12.00	14.00	20.00	26.00	31.00	36.00	39.00	43.00	52.00	61.00
	mm	216	305	356	508	660	787	914	991	1092	1321	1549
RTJ L2	in	14.62	15.12	18.12	24.12	29.12	33.12	38.12	40.87	44.87	52.50	61.75
	mm	371	384	460	613	740	841	968	1038	1140	1333	1568
Height H	in	22.76	29.17	35.37	42.71	49.23	59.53	68.72	78.17	87.24	106.10	125.07
	mm	578	741	898	1085	1250	1512	1745	1985	2216	2695	3177
Handwheel Dia W	in	11.80	13.80	15.80	19.70	23.60	24.00	24.00	24.00	24.00	27.60	39.40
	mm	300	350	400	500	600	610	610	610	610	700	1000
Weight	RF Kg	69	105	164	315	679	988	1390	1749	2470	4312	6635
	BW Kg	61	69	112	208	510	757	1081	1441	2007	3611	5321

1500LB		Valve Size										
Description		2	3	4	6	8	10	12	14	16	20	24
Flanged End L	in	14.50	18.50	21.50	27.75	32.75	39.00	44.50	49.50	54.50	65.50	76.50
	mm	368	470	546	705	832	991	1130	1257	1384	1664	1943
Weld End L1	in	8.50	12.00	16.00	22.00	28.00	34.00	39.00	42.00	47.00	58.00	66.00
	mm	216	305	406	559	711	864	991	1067	1194	1473	1676
RTJ L2	in	14.62	18.62	21.62	28.00	33.13	39.38	45.12	50.25	55.38	66.38	77.63
	mm	371	473	549	711	842	1000	1146	1276	1407	1686	1972
Height H	in	22.92	29.17	35.37	43.54	52.05	59.96	72.15	85.50	89.94	119.68	145.69
	mm	582	741	898	1106	1322	1523	1833	2172	2284	3040	3700
Handwheel Dia W	in	11.80	15.80	17.70	23.60	24.00	24.00	27.60	27.60	27.60	39.40	39.40
	mm	300	400	450	600	610	610	700	700	700	1000	1000
Weight	RF Kg	62	123	227	530	937	1524	2140	2686	3704	7223	10398
	BW Kg	41	85	156	387	704	1103	1493	1852	2830	5606	8075

2500LB		Valve Size						
Description		2	3	4	6	8	10	12
Flanged End L	in	17.75	22.75	26.50	36.00	40.25	50.00	56.00
	mm	451	578	673	914	1022	1270	1422
Weld End L1	in	11.00	14.50	18.00	24.00	30.00	36.00	41.00
	mm	279	368	457	610	762	914	1041
RTJ L2	in	17.88	23.00	26.88	36.50	40.88	50.88	56.88
	mm	454	584	683	927	1038	1292	1445
Height H	in	22.92	29.17	35.51	44.41	53.59	67.44	72.27
	mm	582	741	902	1128	1361	1713	1836
Handwheel Dia W	in	13.80	15.80	19.70	23.60	24.00	27.60	27.60
	mm	350	400	500	600	610	700	700
Weight	RF Kg	87	170	339	834	1358	2443	3029
	BW Kg	52	98	196	478	833	1646	2283

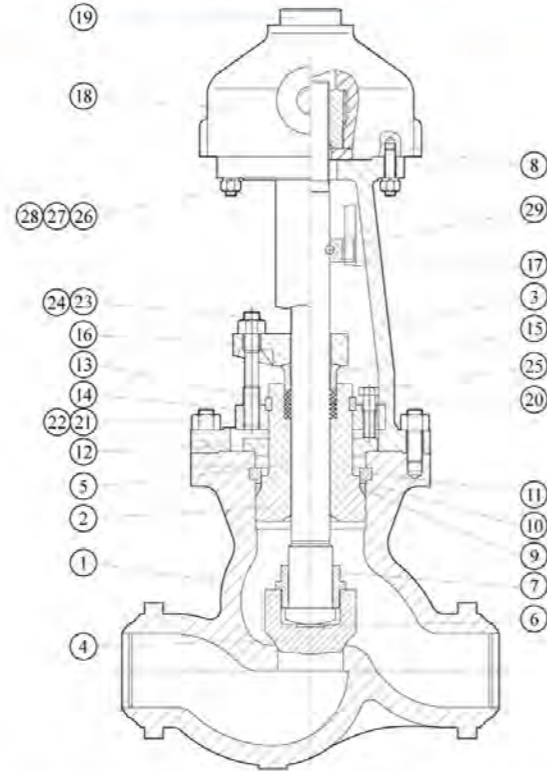


# Pressure Seal Globe Valve

## Material List

### Trim Material

DHV Trim Code	Body Seal Surface Part No.1	Disc Surface Part No.4	Stem Part No.5
1	13CR	13CR	F6A
2	HF	HF	F6A
3	HF	13CR	F6A
4	Monel	Monel	Monel
5	316	316	F316
6	HF	316	F316
7	304	304	F304
8	HF	304	F304
9	INCONEL	INCONEL	INCONEL
A	HF	HF	F6A
B	DSS	DSS	DSS



### Standard Material Specifications

Part Name	Carbon Steel to ASTM			Alloy Steel to ASTM			Stainless Steel to ASTM			
1	Body	A216 WCB	A216 WCB	A352 LCC	A217 WC6	A217 C5	A217 C12	A351 CF8	A351 CF8M	A890 4A
2	Bonnet	A216 WCB	A216 WCB	A352 LCC	A217 WC6	A217 C5	A217 C12	A351 CF8	A351 CF8M	A890 4A
3	Yoke	A216 WCB	A216 WCB	A352 LCC	A217 WC6	A217 C5	A217 C12	A351 CF8	A351 CF8M	A890 4A
4	Disc	A216 WCB	A216 WCB	A352 LCC	A217 WC6	A217 C5	A217 C12	A351 CF8	A351 CF8M	A890 4A
6	Thrust Washer	A276 430	A276 430	A276 430	A276 430	A276 430	A276 430	A182 F304	A182 F316	A182 F51
7	Disc Nut	A276 420	A276 420	A276 420	A276 420	A276 420	A276 420	A182 F304	A182 F316	A182 F51
8	Stem Nut	A439 D2			B150 C61900					
9	Seal Ring	316SS/Soft Steel Silver Plated								
10	Thrust Ring	A276 420	A276 420	A276 420	A276 420	A276 420	A276 420	A182 F304	A182 F316	A182 F51
11	Retainer	A276 420	A276 420	A276 420	A276 420	A276 420	A276 420	A182 F304	A182 F316	A182 F51
12	Pressure Plate	A276 420	A276 420	A276 420	A276 420	A276 420	A276 420	A182 F304	A182 F316	A182 F51
13	Retainer Ring	A105	A350 LF2	A350 LF2	A105	A105	A105	A182 F304	A182 F316	A182 F51
14	Gland	A105	A350 LF2	A350 LF2	A105	A105	A105	A182 F304	A182 F316	A182 F51
15	Packing Gland	A276 420	A276 420	A276 420	A276 420	A276 420	A276 420	A182 F304	A182 F316	A182 F51
16	Gland Flange	A216 WCB	A352 LCB	A352 LCC	A217 WC6	A217 C5	A217 C12	A351 CF8	A351 CF8M	A890 4A
17	Guide Block	A105	A350 LF2	A350 LF2	A105	A105	A105	A182 F304	A182 F316	A182 F51
18	Gear	Steel								
19	Dustproof Cover	Steel								
20	Packing	Graphite								
21	Bolt	A193 B7	A320 L7	A320 L7	A193 B16	A193 B16	A193 B16	A193 B8	A193 B8M	A193 B8MLCuN
22	Nut	A194 2H	A194 7	A194 7	A194 4	A194 4	A194 4	A194 8	A194 8M	A194 8MLCuNa
23	Bolt	A193 B7	A320 L7	A320 L7	A193 B16	A193 B16	A193 B16	A193 B8	A193 B8M	A193 B8MLCuN
24	Nut	A194 2H	A194 7	A194 7	A194 4	A194 4	A194 4	A194 8	A194 8M	A194 8MLCuNa
25	Bolt	A193 B7	A320 L7	A320 L7	A193 B16	A193 B16	A193 B16	A193 B8	A193 B8M	A193 B8MLCuN
26	Bolt	A193 B7	A320 L7	A320 L7	A193 B16	A193 B16	A193 B16	A193 B8	A193 B8M	A193 B8MLCuN
27	Nut	A194 2H	A194 7	A194 7	A194 4	A194 4	A194 4	A194 8	A194 8M	A194 8MLCuNa
28	Spring Washer	Steel								
29	Pin	Steel								



# Pressure Seal Globe Valve

## Feature & Dimension

### Features

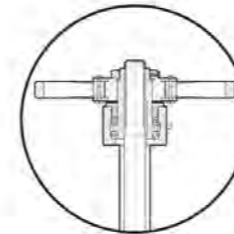
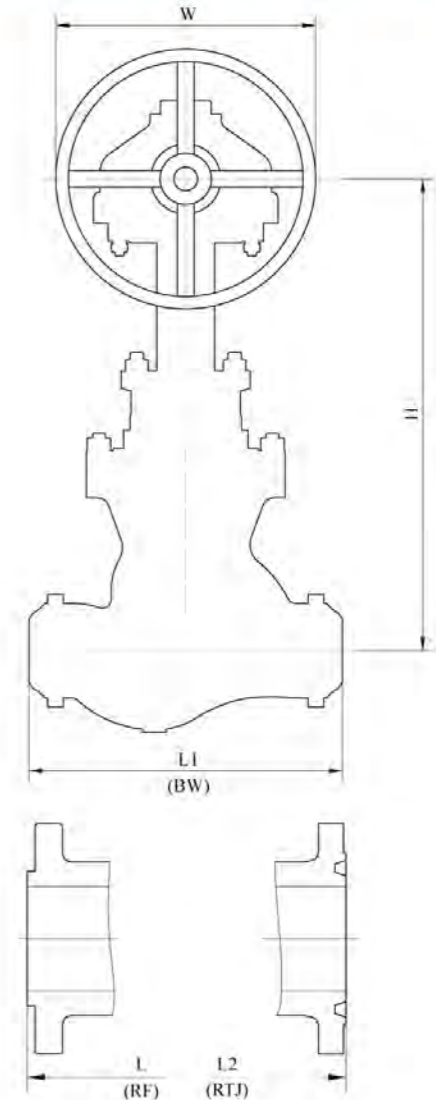
- OS & Y, Rising Stem
- Plug Disc
- Bonnet Seal achieved by fluid pressure
- Hard faced backseat
- Flanged Ends or Buttwelding Ends
- By-pass system available upon request
- ISO pad available upon request

### Specifications

- Basic Design: **ASME B16.34**
- Face to Face: **ASME B16.10**
- End Flange: **ASME B16.5**
- B.W End: **ASME B16.25**

Test and Inspection: **API 598**

Manufacturing to NACE MR0103 on request



600LB	≤ 8"
900LB	≤ 4"
1500LB	≤ 2"

### 600LB

Description	Valve Size									
	2	3	4	6	8	10	12	14	16	
Flanged End L	in	11.50	14.00	17.00	22.00	26.00	31.00	33.00	35.00	39.00
	mm	292	356	432	559	660	787	838	889	991
Weld End L <sub>1</sub>	in	11.50	14.00	17.00	22.00	26.00	31.00	33.00	35.00	39.00
	mm	292	356	432	559	660	787	838	889	991
RTJ L <sub>2</sub>	in	11.62	14.12	17.12	22.12	26.12	31.12	33.12	35.12	39.12
	mm	295	359	435	562	663	790	841	892	994
Height H	in	21.26	27.56	28.94	45.67	48.23	54.13	59.84	69.49	83.46
	mm	540	700	735	1160	1225	1375	1520	1765	2120
Handwheel Dia W	in	9.80	13.80	17.70	21.70	23.60	26.80	24.00	24.00	27.60
	mm	250	350	450	550	600	680	610	610	700
Weight	RF Kg	45	88	135	308	610	1290	1865	2670	3100
	BW Kg	35	63	95	233	530	1130	1685	2480	2850



# Pressure Seal Globe Valve

## Dimension

900LB			Valve Size								
Description			2	3	4	6	8	10	12	14	16
Flanged End L	in		14.50	15.00	18.00	24.00	29.00	33.00	38.00	40.50	44.50
	mm		368	381	457	610	737	838	965	1029	1130
Weld End L1	in		14.50	15.00	18.00	24.00	29.00	33.00	38.00	40.50	44.50
	mm		368	381	457	610	737	838	965	1029	1130
RTJ L2	in		14.62	15.12	18.12	24.12	29.12	33.12	38.12	40.88	44.88
	mm		371	384	460	613	740	841	968	1038	1140
Height H	in		23.82	29.25	32.68	48.62	52.17	59.84	67.52	77.17	89.17
	mm		605	743	830	1235	1325	1520	1715	1960	2265
Handwheel Dia W	in		13.80	17.70	19.70	23.60	24.00	24.00	39.40	39.40	39.40
	mm		350	450	500	600	610	610	1000	1000	1000
Weight	RF	Kg	84	120	175	445	1030	1685	2250	3290	3920
	BW	Kg	58	88	133	382	925	1485	2000	2990	3520

1500LB			Valve Size							
Description			2	3	4	6	8	10	12	14
Flanged End L	in		14.50	18.50	21.50	27.75	32.75	39.00	44.50	49.50
	mm		368	470	546	705	832	990	1130	1257
Weld End L1	in		14.50	18.50	21.50	27.75	32.75	39.00	44.50	49.50
	mm		368	470	546	705	832	990	1130	1257
RTJ L2	in		14.62	18.62	21.62	28.00	33.13	39.38	45.12	50.25
	mm		371	473	549	711	841	1000	1146	1276
Height to Open H	in		23.82	32.28	33.07	47.44	69.49	77.17	89.17	103.94
	mm		605	820	840	1205	1765	1960	2265	2640
Handwheel Dia W	in		13.80	19.70	24.00	24.00	24.00	39.40	39.40	39.40
	mm		350	500	610	610	610	1000	1000	1000
Weight	RF	Kg	84	140	232	900	1730	2625	3330	4200
	BW	Kg	58	125	164	763	1468	2225	2740	3500

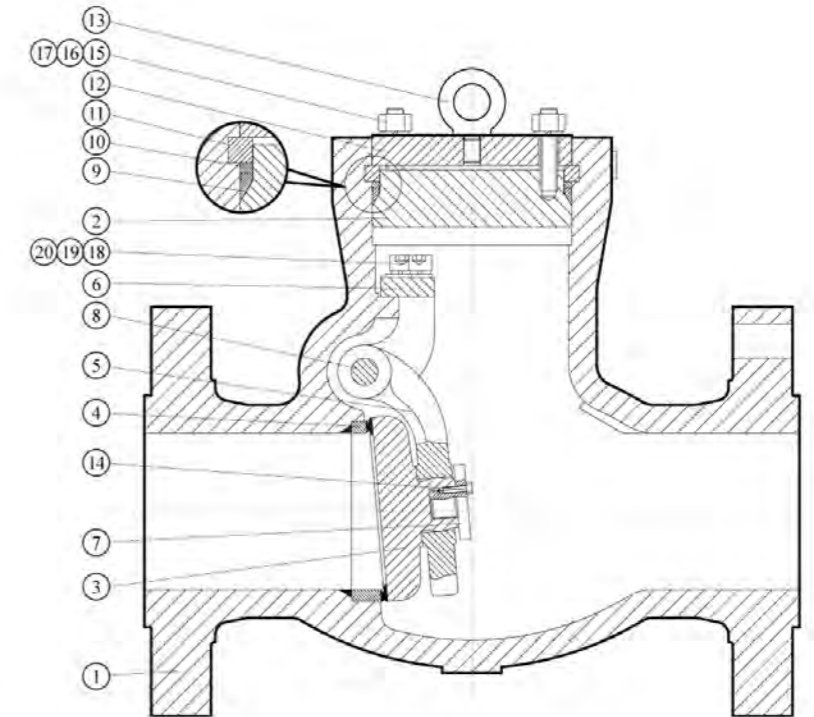
2500LB			Valve Size						
Description			2	3	4	6	8	10	12
Flanged End L	in		17.76	22.76	26.50	36.00	40.24	50.00	56.00
	mm		451	578	673	914	1022	1270	1422
Weld End L1	in		17.76	22.76	26.50	36.00	40.24	50.00	56.00
	mm		451	578	673	914	1022	1270	1422
RTJ L2	in		17.88	23.00	26.89	36.50	40.87	50.87	56.89
	mm		454	584	683	927	1038	1292	1445
Height to Open H	in		23.82	30.91	50.20	52.95	83.46	98.03	103.94
	mm		605	785	1275	1345	2120	2490	2640
Handwheel Dia W	in		15.80	24.00	24.00	24.00	24.00	39.40	39.40
	mm		400	610	610	610	610	1000	1000
Weight	RF	Kg	103	216	515	1290	2470	3235	4110
	BW	Kg	72	142	358	950	2030	2435	3210



# Pressure Seal Check Valve

## Material List

Trim Material		
DHV Trim Code	Disc Surface Part No.3	Seat Ring Surface Part No.4
1	13CR	13CR
2	HF	HF
3	13CR	HF
4	Monel	Monel
5	316	316
6	316	HF
7	304	304
8	304	HF
9	INCONEL	INCONEL
A	HF	HF
B	DSS	DSS



### Standard Material Specifications

Part Name	Carbon Steel to ASTM			Alloy Steel to ASTM			Stainless Steel to ASTM		
1 Body	A216 WCB	A352 LCB	A352 LCC	A217 WC6	A217 C5	A217 C12	A351 CF8	A351 CF8M	A890 4A
2 Bonnet	A216 WCB	A352 LCB	A352 LCC	A217 WC6	A217 C5	A217 C12	A351 CF8	A351 CF8M	A890 4A
3 Disc	A216 WCB	A352 LCB	A352 LCC	A217 WC6	A217 C5	A217 C12	A351 CF8	A351 CF8M	A890 4A
4 Seat Ring	A105	A350 LF2	A350 LF2	A105	A105	A105	A182 F304	A182 F316	A182 F51
5 Hinge	A216 WCB	A352 LCB	A352 LCC	A217 WC6	A217 C5	A217 C12	A351 CF8	A351 CF8M	A890 4A
6 Swing Arm	A216 WCB	A352 LCB	A352 LCC	A217 WC6	A217 C5	A217 C12	A351 CF8	A351 CF8M	A890 4A
7 Disc Screw	Steel								
8 Hinge Pin	Steel								
9 Seal Ring	316SS/Soft Steel Silver Plated								
10 Thrust Ring	A276 420	A276 420	A276 420	A276 420	A276 420	A276 420	A182 F304	A182 F316	A182 F51
11 Retainer	A276 420	A276 420	A276 420	A276 420	A276 420	A276 420	A182 F304	A182 F316	A182 F51
12 Flange	A105	A350 LF2	A350 LF2	A105	A105	A105	A182 F304	A182 F316	A182 F51
13 Screw	Steel								
14 Blot	A193 B7	A320 L7	A320 L7	A193 B16	A193 B16	A193 B16	A193 B8	A193 B8M	A193 B8MLCuN
15 Blot	A193 B7	A320 L7	A320 L7	A193 B16	A193 B16	A193 B16	A193 B8	A193 B8M	A193 B8MLCuN
16 Nut	A194 2H	A194 7	A194 7	A194 4	A194 4	A194 4	A194 8	A194 8M	A194 8MLCuNa
17 Spring Washer	Steel								
18 Blot	A193 B7	A320 L7	A320 L7	A193 B16	A193 B16	A193 B16	A193 B8	A193 B8M	A193 B8MLCuN
19 Spring Washer	Steel								
20 Washer	Steel								



# Pressure Seal Check Valve

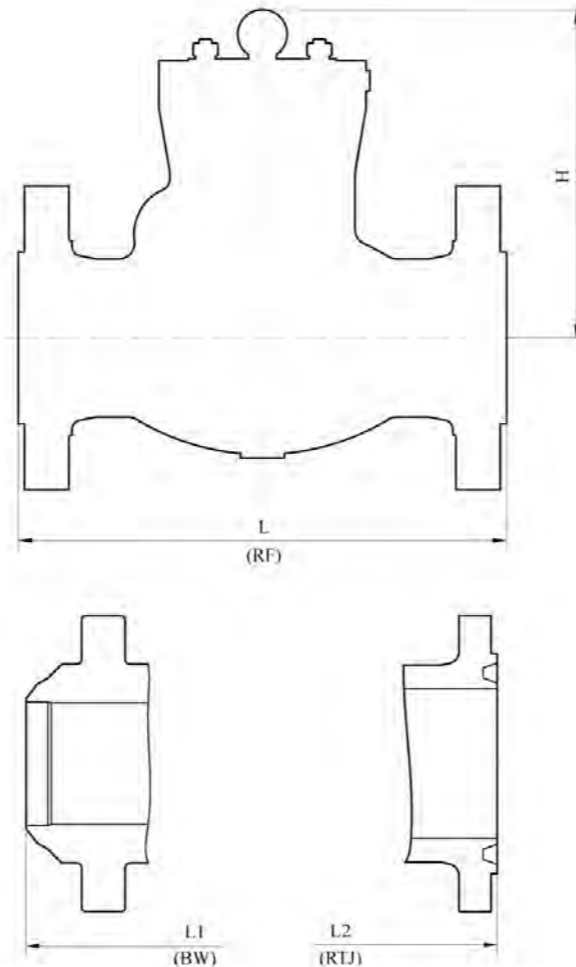
## Feature & Dimension

### Features

- Pressure seal bonnet
- Swing Type Disc
- Bonnet Seal achieved by fluid pressure
- Body seat ring in all sizes is seal-welded on its body
- Flanged Ends or Buttwelding Ends

### Specifications

- Basic Design: **ASME B16.34**  
 Face to Face: **ASME B16.10**  
 End Flange: **ASME B16.5**  
 B.W End: **ASME B16.25**  
 Test and Inspection: **API 598**  
 Manufacturing to NACE MR0103 on request



Description		Valve Size														
		2	3	4	6	8	10	12	14	16	18	20	24	26	28	30
Flanged End L	in	11.50	14.00	17.00	22.00	26.00	31.00	33.00	35.00	39.00	43.00	47.00	55.00	57.00	63.00	65.00
	mm	292	356	432	559	660	787	838	889	991	1092	1194	1397	1448	1600	1651
Weld End L <sub>1</sub>	in	11.50	14.00	17.00	22.00	26.00	31.00	33.00	35.00	39.00	43.00	47.00	55.00	57.00	63.00	65.00
	mm	292	356	432	559	660.00	787	838	889	991	1092	1194	1397	1448	1600	1651
RTJ L <sub>2</sub>	in	11.62	14.12	17.12	22.12	26.12	31.12	33.12	35.12	39.12	43.12	47.25	55.38	57.50	63.50	65.5
	mm	295	359	435	562	663	790	841	892	994	1095	1200	1407	1461	1613	1664
Height H	in	9.75	10.92	12.86	16.22	23.74	24.51	28.11	29.65	30.51	30.51	33.12	38.38	40.44	44.44	48.53
	mm	248	277	327	412	603	622	714	753	775	775	841	975	1027	1129	1233
Weight	RF Kg	28	46	87	195	360	514	688	904	1181	1520	1931	2671	3184	3595	4109
	BW Kg	18	33	56	134	267	380	503	678	873	1130	1531	2095	2568	2876	3236



# Pressure Seal Check Valve

## Dimension

### 900LB

Description		Valve Size											
		2	3	4	6	8	10	12	14	16	18	20	24
Flanged End L	in	14.50	15.00	18.00	24.00	29.00	33.00	38.00	40.50	44.50	48.00	52.00	61.00
	mm	368	381	457	610	737	838	965	1029	1130	1219	1321	1549
Weld End L <sub>1</sub>	in	8.50	12.00	14.00	20.00	26.00	31.00	36.00	39.00	43.00	48.00	52.00	61.00
	mm	216	305	356	508	660	787	914	991	1092	1219	1321	1549
RTJ L <sub>2</sub>	in	14.62	15.12	18.12	24.12	29.12	33.12	38.12	40.87	44.87	48.50	52.50	61.75
	mm	371	384	460	613	740	841	968	1038	1140	1232	1333	1568
Height H	in	9.75	10.92	12.86	16.22	23.74	24.51	28.11	29.65	30.51	34.42	34.94	38.78
	mm	248	277	327	412	603	622	714	753	775	874	888	985
Weight	RF Kg	43	60	113	249	615	917	1402	1672	1780	2363	3082	4212
	BW Kg	22	35	70	173	475	745	1100	1316	1457	1900	2465	2979

### 1500LB

Description		Valve Size											
		2	3	4	6	8	10	12	14	16	18	20	24
Flanged End L	in	14.50	18.50	21.50	27.60	32.75	39.00	44.50	49.50	54.50	60.50	65.50	76.50
	mm	368	470	546	705	832	991	1130	1257	1384	1537	1664	1943
Weld End L <sub>1</sub>	in	8.50	12.00	16.00	22.00	28.00	34.00	39.00	42.00	47.00	60.50	65.50	76.50
	mm	216	305	406	559	711	864	991	1067	1194	1537	1664	1943
RTJ L <sub>2</sub>	in	14.62	18.62	21.62	28.00	33.13	39.38	45.12	50.25	55.38	61.38	66.38	77.63
	mm	371	473	549	711	842	1000	1146	1276	1407	1559	1686	1972
Height H	in	9.75	10.91	12.86	17.07	19.37	23.90	26.08	28.75	30.29	35.59	38.38	44.44
	mm	248	277	327	433	492	607	663	730	769	904	975	1129
Weight	RF Kg	43	108	151	370	658	1133	1672	2265	2804	3390	4314	6163
	BW Kg	22	43	76	239	518	798	1186	1521	1726	2157	2671	3595

### 2500LB

Description		Valve Size						
		2	3	4	6	8	10	12
Flanged End L	in	17.75	22.75	26.50	36.00	40.25	50.00	56.00
	mm	451	578	673	914	1022	1270	1422
Weld End L <sub>1</sub>	in	11.00	14.50	18.00	24.00	30.00	36.00	41.00
	mm	279	368	457	610	762	914	1041
RTJ L <sub>2</sub>	in	17.88	23	26.88	36.50	40.88	50.88	56.88
	mm	454	584	683	927	1038	1292	1445
Height H	in	9.91	10.92	12.86	18.24	22.61	23.29	26.53
	mm	252	277	327	463	574	592	674
Weight	RF Kg	91	167	307	604	1100	1722	2847
	BW Kg	54	91	146	293	614	804	1553







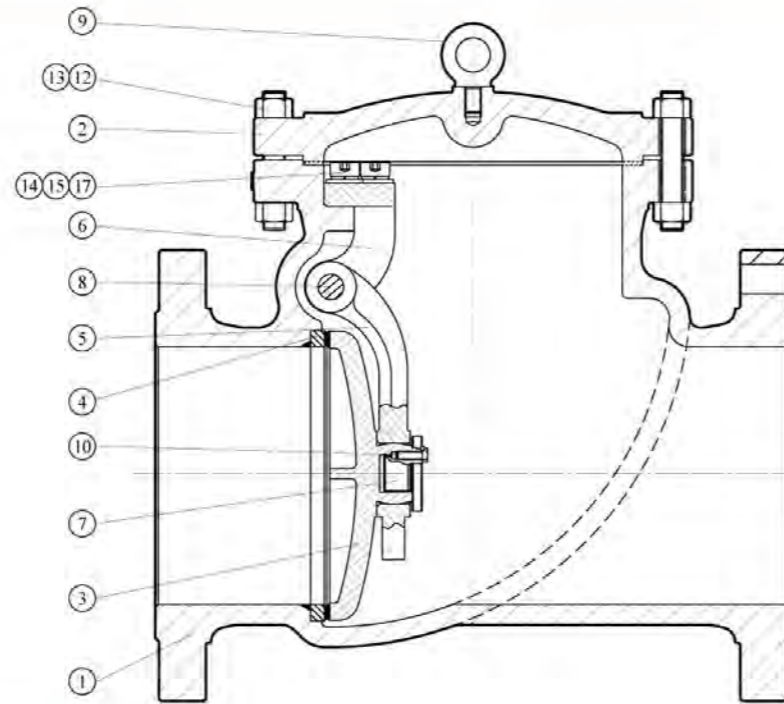


# API 6D Swing Check Valve

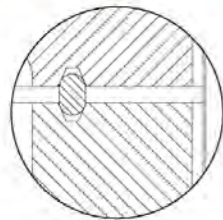
## Material List

### Trim Material

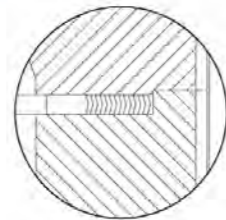
DHV Trim Code	Disc Surface Part No.3	Seat Ring Surface Part No.4
1	13CR	13CR
2	HF	HF
3	13CR	HF
4	Monel	Monel
5	316	316
6	316	HF
7	304	304
8	304	HF
9	INCONEL	INCONEL
A	HF	HF
B	DSS	DSS



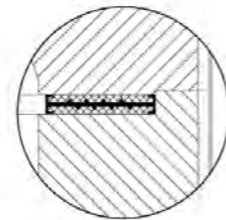
### Flange Gasket



Ring Type Joint  
≥ 600lb



Spiral Wound Gasket  
300lb



Metal Backup  
Graphite Gasket  
150lb

### Standard Material Specifications

Part Name	Carbon Steel to ASTM			Alloy Steel to ASTM			Stainless Steel to ASTM		
1 Body	A216 WCB	A352 LCB	A352 LCC	A217 WC6	A217 C5	A217 C12	A351 CF8	A351 CF8M	A890 4A
2 Bonnet	A216 WCB	A352 LCB	A352 LCC	A217 WC6	A217 C5	A217 C12	A351 CF8	A351 CF8M	A890 4A
3 Disc	A216 WCB	A352 LCB	A352 LCC	A217 WC6	A217 C5	A217 C12	A351 CF8	A351 CF8M	A890 4A
4 Seat Ring	A105	A350 LF2	A350 LF2	A105	A105	A105	A182 F304	A182 F316	A182 F51
5 Hinge	A216 WCB	A352 LCB	A352 LCC	A217 WC6	A217 C5	A217 C12	A351 CF8	A351 CF8M	A890 4A
6 Swing Arm	A216 WCB	A352 LCB	A352 LCC	A217 WC6	A217 C5	A217 C12	A351 CF8	A351 CF8M	A890 4A
7 Disc Screw	Stainless Steel								
8 Hinge Pin	Stainless Steel								
9 Screw	Stainless Steel								
10 Stud	Stainless Steel								
12 Bonnet Bolt	A193 B7	A320 L7	Ductile Iron	A193 B16	A193 B16	A193 B16	A193 B8	A193 B8M	A193 B8MLCuN
13 Bonnet Nut	A194 2H	A194 7	A194 7	A194 4	A194 4	A194 4	A194 8	A194 8M	A194 8MLCuNa
14 Stud	Stainless Steel								
15 Spring Washer	Stainless Steel								
17 Washer	Stainless Steel								



# API 6D Swing Check Valve

## Feature & Dimension

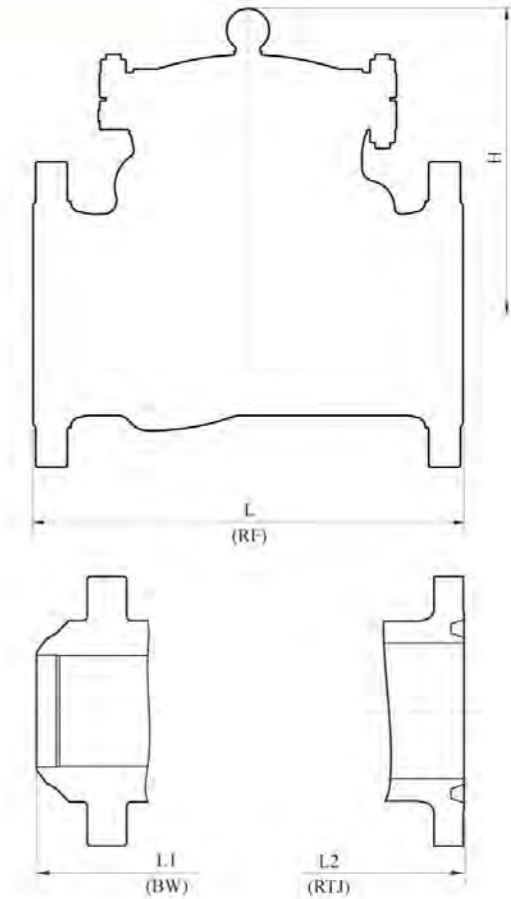
### Features

- Bolted Bonnet
- Swing Type Disc
- Renewable Seat Rings Welded or Threaded
- Flanged Ends or Buttwelding Ends
- API 6D Bore, Piggable
- Metal Seat & Soft Seat Seal

### Specifications

- Basic Design: **API 6D**  
 Face to Face: **API 6D**  
 End Flange:  
 2"-24" **ASME B16.5**  
 26"-30" **ASME B16.47**  
 B.W End: **ASME B16.25**

Test and Inspection: **API 6D**  
 Manufacturing to NACE MR0175 on request



### 150LB

Description	Valve Size												
	2	3	4	6	8	10	12	14	16	20	24	30	
Flanged End L	in	8.00	9.50	11.50	14.00	19.50	24.50	27.50	31.00	34.00	38.50	51.00	60.00
	mm	203	241	292	356	495	622	699	787	864	978	1295	1524
Weld End L1	in	8.00	9.50	11.50	14.00	19.50	24.50	27.50	31.00	34.00	38.50	51.00	60.00
	mm	203	241	292	356	495	622	699	787	864	978	1295	1524
Height H	in	7.56	8.86	10.24	11.65	15.51	17.52	19.57	21.69	24.57	29.21	35.47	41.65
	mm	192	225	260	296	394	445	497	551	624	742	901	1058
Weight	RF Kg	17	27	49	79	146	224	326	406	620	922	1024	2192
	BW Kg	12	17	35	55	108	186	267	313	540	816	874	1910

### 300LB

Description	Valve Size												
	2	3	4	6	8	10	12	14	16	20	24	30	
Flanged End L	in	10.50	12.50	14.00	17.50	21.00	24.50	28.00	33.00	34.00	40.00	53.00	62.80
	mm	267	318	356	445	533	622	711	838	864	1016	1346	1594
Weld End L1	in	10.50	12.50	14.00	17.50	21.00	24.50	28.00	33.00	34.00	40.00	53.00	62.80
	mm	267	318	356	445	533	622	711	838	864	1016	1346	1594
Height H	in	8.19	9.41	10.20	12.91	15.59	18.27	21.14	22.56	24.76	30.16	34.13	51.50
	mm	208	239	259	328	396	464	537	573	629	766	867	1308
Weight	RF Kg	26	59	67	125	203	342	479	599	885	1388	1880	3996
	BW Kg	22	49	54	107	165	261	441	453	808	1013	1821	2865





# API 6D Swing Check Valve

## Dimension

### 600LB

Description		Valve Size											
		2	3	4	6	8	10	12	14	16	20	24	30
Flanged End L	in	11.50	14.00	17.00	22.00	26.00	31.00	33.00	35.00	39.00	47.00	55.00	65.00
	mm	292	356	432	559	660	787	838	889	991	1194	1397	1651
Weld End L1	in	11.50	14.00	17.00	22.00	26.00	31.00	33.00	35.00	39.00	47.00	55.00	65.00
	mm	292	356	432	559	660	787	838	889	991	1194	1397	1651
RTJ L2	in	11.61	14.13	17.13	22.13	26.14	31.14	33.11	35.12	39.13	47.24	55.39	65.51
	mm	295	359	435	562	664	791	841	892	994	1200	1407	1664
Height H	in	9.02	11.30	12.83	16.69	19.45	21.34	24.25	26.42	28.78	34.57	43.90	52.56
	mm	229	287	326	424	494	542	616	671	731	878	1115	1335
Weight	RF Kg	33	69	109	242	380	560	790	865	1418	2209	3111	5550
	BW Kg	29	58	77	173	288	370	651	674	1000	1749	2510	4740

### 900LB

Description		Valve Size										
		2	3	4	6	8	10	12	14	16	20	24
Flanged End L	in	14.50	15.00	18.00	24.00	29.00	33.00	38.00	40.50	44.40	52.00	61.00
	mm	368	381	457	610	737	838	965	1029	1130	1321	1549
Weld End L1	in	14.50	15.00	18.00	24.00	29.00	33.00	38.00	40.50	44.40	52.00	61.00
	mm	368	381	457	610	737	838	965	1029	1130	1321	1549
RTJ L2	in	14.61	15.12	18.11	24.13	29.13	33.11	38.11	40.87	44.88	52.52	61.73
	mm	371	384	460	613	740	841	968	1038	1140	1334	1568
Height H	in	12.40	12.99	15.00	18.27	23.11	25.35	27.68	31.18	33.78	37.01	37.40
	mm	315	330	381	464	587	644	703	792	858	940	950
Weight	RF Kg	77	121	171	319	577	853	1122	1398	1945	4077	5290
	BW Kg	55	85	130	236	442	657	881	1154	1651	3620	4730

### 1500LB

Description		Valve Size										
		2	3	4	6	8	10	12	14	16	20	24
Flanged End L	in	14.50	18.50	21.50	27.80	32.80	39.00	44.50	49.50	54.50	65.50	76.50
	mm	368	470	546	705	832	991	1130	1257	1384	1664	1943
Weld End L1	in	14.50	18.50	21.50	27.80	32.80	39.00	44.50	49.50	54.50	65.50	76.50
	mm	368	470	546	705	832	991	1130	1257	1384	1664	1943
RTJ L2	in	14.61	18.62	21.61	27.99	33.11	39.37	45.12	50.24	55.39	66.38	77.64
	mm	371	473	549	711	841	1000	1146	1276	1407	1686	1972
Height H	in	12.40	14.96	16.85	22.09	26.77	31.10	34.65	38.90	41.73	52.56	62.99
	mm	315	380	428	561	680	790	880	988	1060	1335	1600
Weight	RF Kg	77	170	242	605	1014	1428	2332	3182	4676	8320	10200
	BW Kg	55	132	182	497	728	918	1782	2382	3637	7800	8733

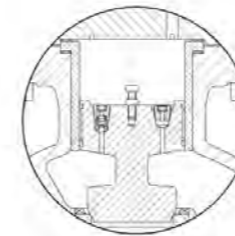
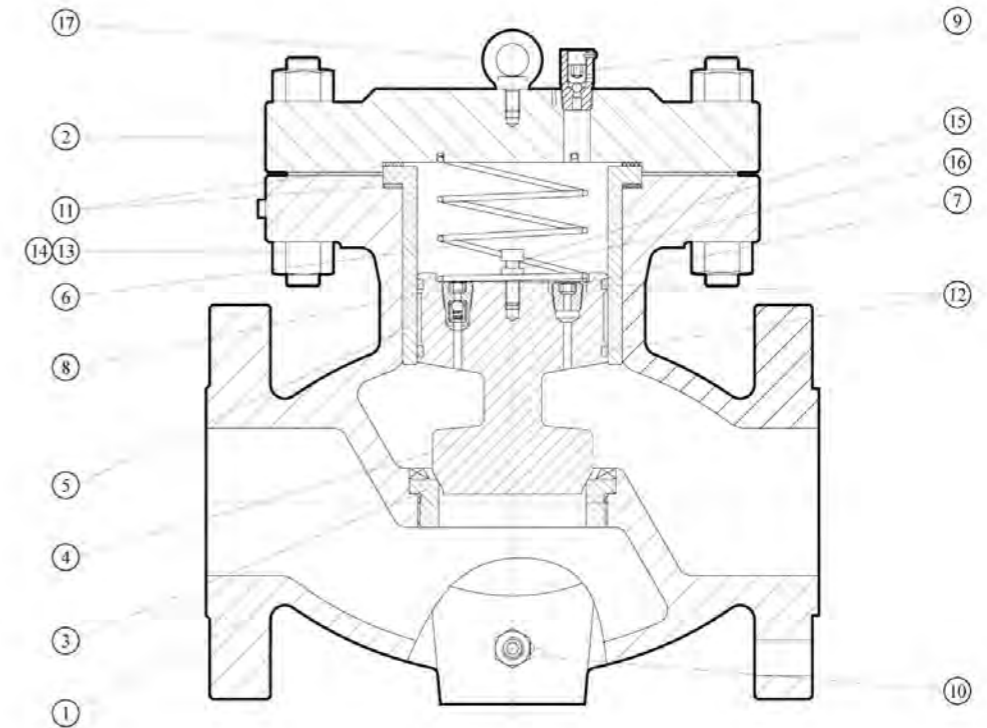
### 2500LB

Description		Valve Size						
		2	3	4	6	8	10	12
Flanged End L	in	17.80	22.80	26.50	36.00	40.20	50.00	56.00
	mm	451	578	673	914	1022	1270	1422
Weld End L1	in	17.80	22.80	26.50	36.00	40.20	50.00	56.00
	mm	451	578	673	914	1022	1270	1422
RTJ L2	in	17.87	22.99	26.89	36.50	40.87	50.87	56.89
	mm	454	584	683	927	1038	1292	1445
Height H	in	15.00	16.69	22.17	26.65	30.79	36.81	43.31
	mm	381	424	563	677	782	935	1100
Weight	RF Kg	138	308	742	997	2662	4126	6056
	BW Kg	99	231	616	842	2178	3278	4789



# API 6D Piston Check Valve

## Material List



≥6" No Spring

### Standard Material Specifications

Trim Material			Part Name		Carbon Steel to ASTM
DHV Trim Code	Seat Surface Part No.3	Piston Surface Part No.4	1	2	
1	13CR	13CR	Body		A216 WCB
2	HF	HF	Bonnet		A105
3	HF	13CR	Seat		A105+Stellite
4	Monel	Monel	Piston		410SS+Stellite
5	316	316	Liner		Cast Iron+HCr
6	HF	316	Spring		Inconel
7	304	304	Orifice Plug		316SS
8	HF	304	Ball Check Valve		Assembly
9	INCONEL	INCONEL	Vent Fitting		Assembly
10	HF	316	Drain Fitting		Assembly
11	316	316	Gasket		316SS+Graphite
12	304	304	Cast Iron Ring		Cast Iron
13	HF	304	Stud		A193 B7M
14	INCONEL	INCONEL	Nut		A194 2HM
15	HF	HF	Bolt		A193 B8M
16	DSS	DSS	Nut		A194 8M
17	DSS	DSS	Hook Screw		Carbon Steel



# API 6D Piston Check Valve

## Feature & Dimension

### Features

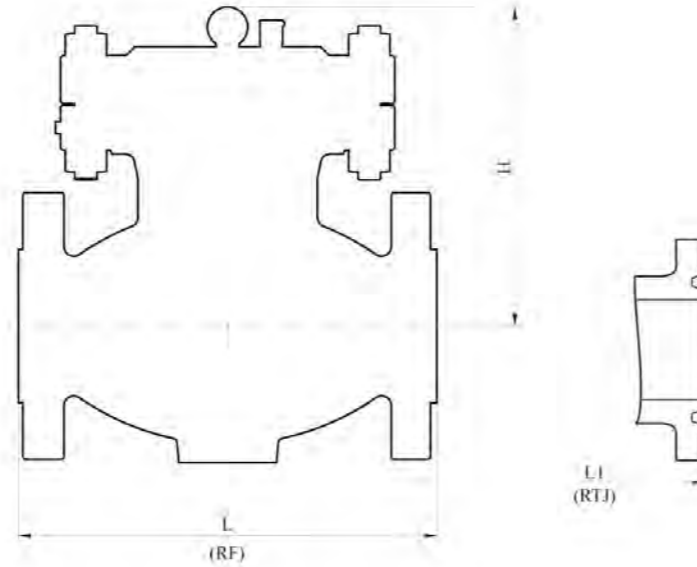
- Bolted Bonnet
- Rising Type Disc
- Renewable Seat Rings Welded or Threaded
- Flanged Ends or Buttwelding Ends
- Metal Seat & Soft Seat Seal
- Quiet non-slam closure

### Specifications

Basic Design: **API 6D**  
 Face to Face: **DHV Standard**  
 End Flange:  
 2"-24" **ASME B16.5**  
 26"-40" **ASME B16.47**  
 B.W End: **ASME B16.25**

Test and Inspection: **API 6D**

Manufacturing to NACE MR0175 on request



Description		150LB									300LB								
Valve Size		2	3	4	6	8	10	12	14	16	2	3	4	6	8	10	12	14	16
Flanged End L	in	8.00	9.50	11.50	16.00	19.50	24.50	27.50	31.00	8.00	10.25	14.75	17.63	19.38	22.50	29.63	32.00	35.25	39.38
	mm	203	241	292	356	495	622	699	787	203	260	375	448	492	571.5	753	813	895	1000
Height H	in	8.46	10.79	12.99	16.73	18.98	23.15	23.43	28.15	8.43	8.46	10.79	12.99	16.93	19.17	23.31	23.62	28.35	31.30
	mm	215	274	330	425	482	588	595	715	214	215	274	330	430	487	592	600	720	795
Weight	RF Kg	26	42	68	138	271	448	595	888	26	33	65	104	173	313	542	693	1043	1294

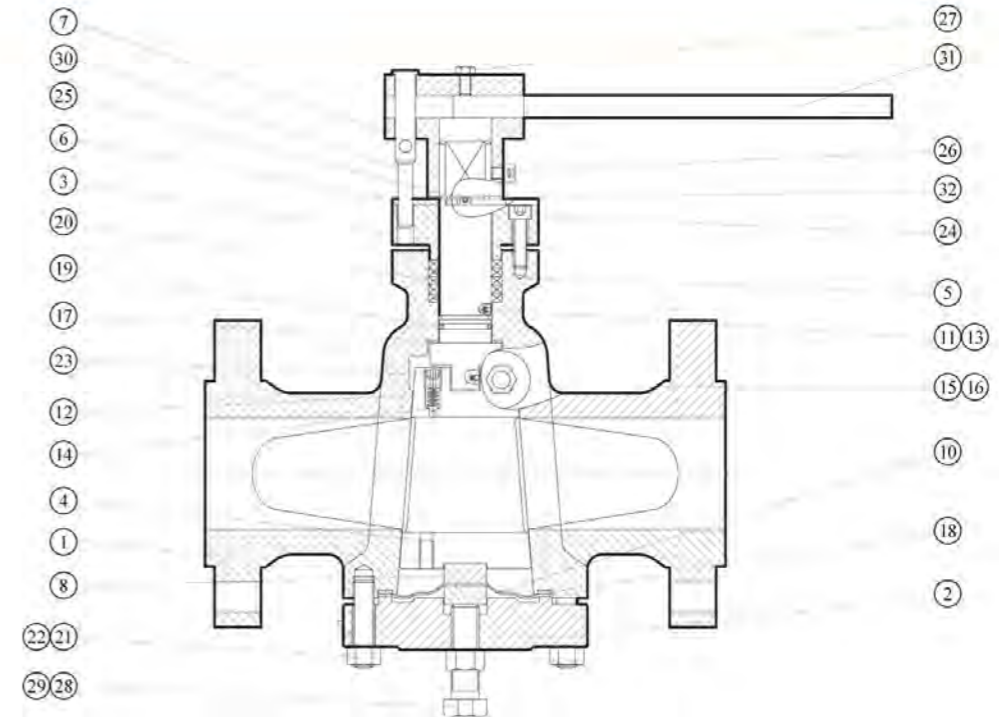
Description		600LB									900LB								
Valve Size		2	3	4	6	8	10	12	14	16	20	2	3	4	6	8	10	12	
Flanged End L	in	11.00	14.75	18.50	20.75	24.00	30.88	33.63	37.00	41.25	55.50	13.63	14.88	19.38	21.88	24.88	31.38	33.88	
	mm	279	375	470	527	610	784	854	940	1048	1410	346	378	492	556	632	797	860	
RTJ L1	in	11.13	14.88	18.63	20.88	24.13	31.00	33.75	37.13	41.38	55.63	13.75	15.00	19.50	22.00	25.00	31.50	34.00	
	mm	282	378	473	530	613	787	857	943	1051	1413	349	381	495	559	635	800	864	
Height H	in	8.46	10.79	13.15	17.20	19.45	23.54	23.98	28.62	31.50	35.24	11.50	11.73	14.09	18.07	22.17	25.47	26.50	
	mm	215	274	334	437	494	598	609	727	800	895	292	298	358	459	563	647	673	
Weight	RF Kg	37	75	125	237	349	711	1056	1210	1544	3591	64	112	160	376	612	929	1334	

Description		1500LB									2500LB								
Valve Size		2	3	4	6	8	10	12	14	16	20	2	3	4	6	8	10	12	
Flanged End L	in	13.63	17.25	20.25	24.00	32.38	34.88	41.00	44.88	20.25	23.13	32.00	37.38	40.38	56.00				
	mm	346	438	514	610	822	886	1041	378	514	587	813	949	1026	1422				
RTJ L1	in	13.75	17.38	20.38	24.25	32.75	35.00	41.63	45.00	20.50	23.50	32.50	38.00	41.25	56.88				
	mm	349	441	518	616	832	889	1057	381	521	597	826	965	1048	1445				
Height H	in	9.44	11.73	13.52	19.38	22.06	26.20	27.41	10.88	12.50	15.00	18.94	23.25	23.25	31.19				
	mm	240	298	343	492	560	665	696	276	318	381	481	591	591	792				
Weight	RF Kg	67	137	222	435	849	1675	2360	77	197	330	846	1588	1987	6350				



# Plug Valve

## Material List



### Standard Material Specifications

Part Name	Carbon Steel to ASTM			Alloy Steel to ASTM			Stainless Steel to ASTM		
1 Body	A216 WCB	A352 LCB	A352 LCC	A217 WC6	A217 C5	A217 C12	A351 CF8	A351 CF8M	A890 4A
2 Bonnet	A105	A350 LF2	A350 LF2	A105	A105	A105	A182 F304	A182 F316	A182 F51
3 Gland	A105	A350 LF2	A350 LF2	A105	A105	A105	A182 F304	A182 F316	A182 F51
4 Plug	A487 4A	A487 4A	A487 4A	A487 4A	A487 4A	A487 4A	A351 CF8	A351 CF8M	A890 4A
5 Stem	A276 420	A276 420	A276 420	A276 420	A276 420	A276 420	A182 F304	A182 F316	A182 F51
6 Stop Plate	Steel								
7 Handle Adapter	Steel								
8 Regulating Block	A276 420	A276 420	A276 420	A276 420	A276 420	A276 420	A182 F304	A182 F316	A182 F51
10 Diaphragm	Steel								
11 Spring	Steel								
12 Spring	Steel								
13 Steel Ball	Steel								
14 Steel Ball	Steel								
15 Injection Fitting	Assembly								
16 Check Valve	Assembly								
17 Thrust Washer	Metal Backed PTFE								
18 Gasket	316SS Spwnd Gasket								
19 O-Ring	Viton								
20 Graphite Packing	Flexible Graphite								
21 Stud	A193 B7	A320 L7	A320 L7	A193 B16	A193 B16	A193 B16	A193 B8	A193 B8M	A193 B8MLCuN
22 Nut	A194 2H	A194 7	A194 7	A194 4	A194 4	A194 4	A194 8	A194 8M	A194 8MLCuNa
23 Lock Bolt	Steel								
24 Bolt	A193 B7	A320 L7	A320 L7	A193 B16	A193 B16	A193 B16	A193 B8	A193 B8M	A193 B8MLCuN
25 Bolt	A193 B7	A320 L7	A320 L7	A193 B16	A193 B16	A193 B16	A193 B8	A193 B8M	A193 B8MLCuN
26 Bolt	A193 B7	A320 L7	A320 L7	A193 B16	A193 B16	A193 B16	A193 B8	A193 B8M	A193 B8MLCuN
27 Bolt	A193 B7	A320 L7	A320 L7	A193 B16	A193 B16	A193 B16	A193 B8	A193 B8M	A193 B8MLCuN
28 Bolt	A193 B7	A320 L7	A320 L7	A193 B16	A193 B16	A193 B16	A193 B8	A193 B8M	A193 B8MLCuN
29 Nut	A194 2H	A194 7	A194 7	A194 4	A194 4	A194 4	A194 8	A194 8M	A194 8MLCuNa
30 Lock Pin	Steel								
31 Hand Pipe	Steel								
32 Snap Ring	Steel								



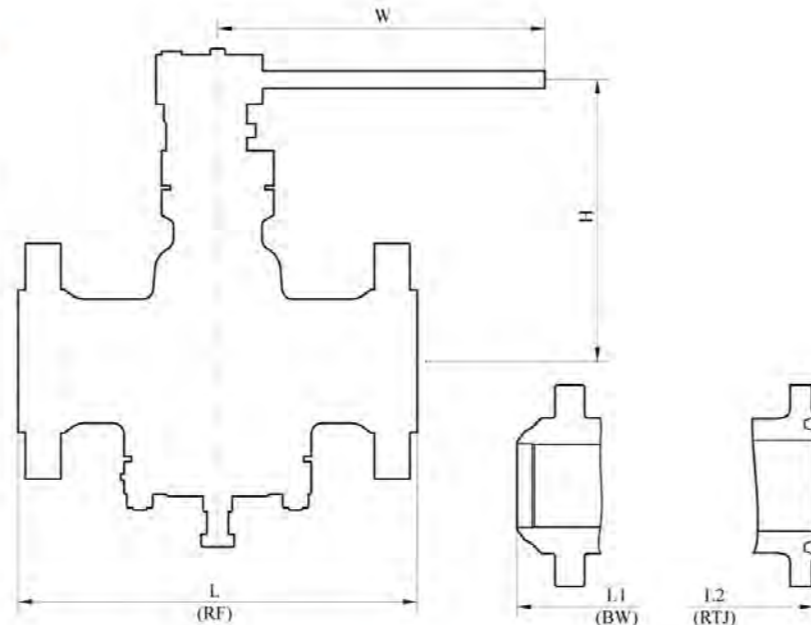
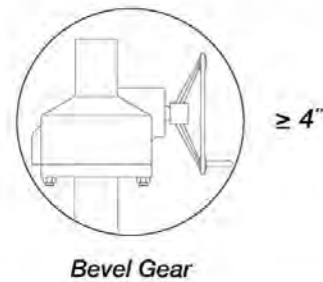
# Plug Valve Feature & Dimension

### Features

- Bolted Bonnet
- Flanged Ends or Buttwelding Ends
- Metal Seat
- Self Lubricated

### Specifications

Basic Design: **API 6D API 599**  
**ASME B16.34**  
 Face to Face: **API 6D ASME B16.10**  
 End Flange: **ASME B16.5**  
 B.W End: **ASME B16.25**  
 Test and Inspection: **API 6D API 598**  
 Manufacturing to NACE MR0175 on request



Description		Valve Size						
		2	3	4	6	8	10	12
Flanged End L	in	7.00	8.00	9.00	10.50	11.50	13.00	14.00
	mm	178	203	229	267	292	330	356
Weld End L1	in	10.50	13.00	14.00	18.00	20.50	22.00	25.00
	mm	267	330	356	457	521	559	635
Height H	in	9.37	11.30	13.78	16.38	18.54	19.61	22.68
	mm	238	287	350	416	471	498	576
Handwheel Dia W	in	21.70	23.60	13.80	13.80	19.70	19.70	19.70
	mm	550	600	350	350	500	500	500
Weight	RF Kg	24	37	54	111	141	193	260

Description		Valve Size						
		2	3	4	6	8	10	12
Flanged End L	in	8.50	11.12	12.00	15.88	16.50	18.00	19.75
	mm	216	283	305	403	419	457	502
Weld End L1	in	10.50	13.00	14.00	18.00	20.50	22.00	25.00
	mm	267	330	356	457	521	559	635
Height H	in	9.37	11.30	13.78	16.38	18.54	19.61	22.68
	mm	238	287	350	416	471	498	576
Handwheel Dia W	in	21.70	23.60	13.80	13.80	19.70	19.70	19.70
	mm	550	600	350	350	500	500	500
Weight	RF Kg	27	41	69	147	215	288	429

Description		Valve Size						
		2	3	4	6	8	10	12
Flanged End L	in	11.50	14.00	17.00	22.00	26.00	31.00	33.00
	mm	292	356	432	559	660	787	838
Weld End L1	in	11.50	14.00	17.00	22.00	26.00	31.00	33.00
	mm	292	356	432	559	660	787	838
RTJ End L	in	11.61	14.13	17.13	22.13	26.14	31.14	33.11
	mm	295	359	435	562	664	791	841
Height H	in	9.37	11.30	13.78	16.38	18.54	19.61	22.68
	mm	238	287	350	416	471	498	576
Handwheel Dia W	in	21.70	23.60	13.80	13.80	19.70	19.70	19.70
	mm	550	600	350	350	500	500	500
Weight	RF Kg	33	53	103	237	362	746	1040

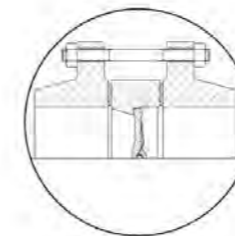
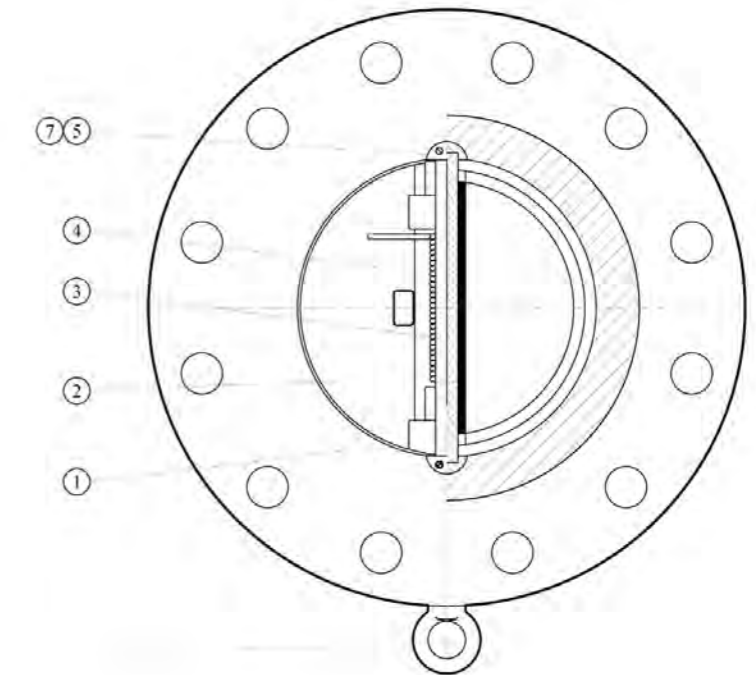
Description		Valve Size						
		2	3	4	6	8	10	12
Flanged End L	in	14.50	15.00	18.00	24.00	29.00	33.00	38.00
	mm	368	381	457	610	737	838	965
Weld End L1	in	14.50	15.00	18.00	24.00	29.00	33.00	38.00
	mm	368	381	457	610	737	838	965
RTJ End L	in	14.61	15.12	18.11	24.13	29.13	33.11	38.11
	mm	371	384	460	613	740	841	968
Height H	in	10.16	12.76	14.41	17.05	18.90	21.26	24.09
	mm	258	324	366	433	480	540	612
Handwheel Dia W	in	29.50	31.50	13.80	19.70	19.70	19.70	19.70
	mm	750	800	350	500	500	500	500
Weight	RF Kg	45	78	132	306	456	972	1260



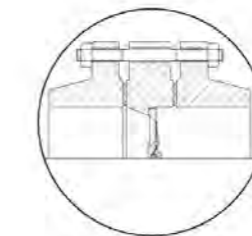
# Dual-Plate Wafer Check Valve Material List

### Trim Material

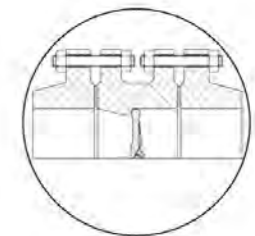
DHV Trim Code	Seat Surface Part No.3	Piston Surface Part No.4
1	13CR	13CR
2	HF	HF
3	HF	13CR
4	Monel	Monel
5	316	316
6	HF	316
7	304	304
8	HF	304
9	INCONEL	INCONEL
A	HF	HF
B	DSS	DSS



Wafer Type



Lug Type



Double Flanged Type

### Standard Material Specifications

Part Name	Carbon Steel to ASTM			Alloy Steel to ASTM			Stainless Steel to ASTM		
1 Body	A216 WCB	A352 LCB	A352 LCC	A217 WC6	A217 C5	A217 C12	A351 CF8	A351 CF8M	A890 4A
2 Disc	A216 WCB	A352 LCB	A352 LCC	A217 WC6	A217 C5	A217 C12	A351 CF8	A351 CF8M	A890 4A
3 Pin	A105	A350 LF2	A350 LF2	A105	A105	A105	A182 F304	A182 F316	A182 F51
4 Spring	Steel								
5 Holder Lock	A105	A350 LF2	A350 LF2	A105	A105	A105	A182 F304	A182 F316	A182 F51
6 Screw	Steel								
7 Pin Holder	A105	A350 LF2	A350 LF2	A105	A105	A105	A182 F304	A182 F316	A182 F51

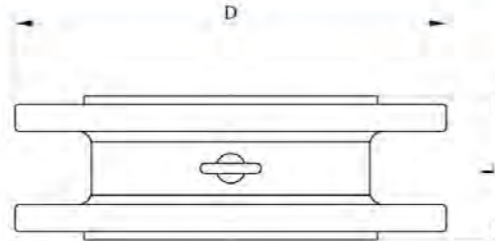


# Dual-Plate Wafer Check Valve

## Feature & Dimension

### Specifications

Basic Design: **API 594**  
 Face to Face Dimensions: **API 594**  
 End Flange Dimensions: **ANSI B16.5**  
 Inspection and Testing: **API 598**  
 Type: **Wafer, Wafer-Lug, and Double Flange**



Description			Valve Size															
			2	3	4	6	8	10	12	14	16	18	20	24	28	30	32	36
Flanged End L	in	2.40	2.90	2.90	3.90	5.00	5.75	7.10	7.20	7.50	8.00	8.60	8.70	12.00	12.00	12.00	14.50	
	mm	60	73	73	98	127	146	181	184	191	203	219	222	305	305	305	368	
OD of flange D	in	4.00	5.30	6.80	8.70	11.00	13.30	16.00	17.60	20.20	21.50	23.80	28.20	32.70	34.70	37.00	41.10	
	mm	103	135	173	221	277	337	407	448	512	547	604	715	830	880	938	1045	
Weight	RF	Kg	2	4	6	13	24	40	66	83	102	124	150	203	380	413	580	665

Description			Valve Size															
			2	3	4	6	8	10	12	14	16	18	20	24	28	30	32	36
Flanged End L	in	2.40	2.90	2.90	3.90	5.00	5.75	7.10	8.70	9.10	10.40	11.50	12.50	14.50	14.50	14.50	19.00	
	mm	60	73	73	98	127	146	181	222	232	264	292	318	368	368	368	483	
OD of flange D	in	4.33	5.79	7.05	9.80	12.01	14.13	16.54	19.02	21.14	23.39	25.67	30.39	35.28	37.40	39.53	43.86	
	mm	110	147	179	249	305	359	420	483	537	594	652	772	896	950	1004	1114	
Weight	RF	Kg	3	5	7	17	32	50	81	117	158	200	285	380	586	696	986	1070

Description			Valve Size															
			2	3	4	6	8	10	12	14	16	18	20	24	28	30	32	36
Flanged End L	in	2.36	2.87	3.11	5.35	6.50	8.39	9.02	10.75	12.01	14.25	14.49	17.24	19.88	19.88	19.88	25.00	
	mm	60	73	79	136	165	213	229	273	305	362	368	438	505	505	505	635	
OD of flange D	in	4.33	5.79	7.52	10.39	12.52	15.67	17.91	19.29	22.13	24.02	26.77	30.94	35.91	38.11	40.16	44.41	
	mm	110	147	191	264	318	398	455	490	562	610	680	786	912	968	1020	1128	
Weight	RF	Kg	3	5	9	27	48	94	115	187	261	365	453	705	995	1180	1675	2110

Description			Valve Size															
			2	3	4	6	8	10	12	14	16	18	20	24	28	30	32	36
Flanged End L	in	2.76	3.27	4.02	6.26	8.11	9.49	11.50	14.02	15.12	17.76	17.76	19.49	22.01	22.01	22.01	27.60	
	mm	70	83	102	159	206	241	292	356	384	451	451	495	559	559	559	701	
OD of flange D	in	5.51	6.50	8.03	11.26	14.02	17.01	19.49	20.47	22.52	25.04	27.40	32.87	37.17	39.69	42.13	47.17	
	mm	140	165	204	286	356	432	495	520	572	636	696	835	944	1008	1070	1198	
Weight	RF	Kg	6	10	17	41	80	135	212	335	395	600	810	1030	1450	1820	2100	3250

Description			Valve Size											
			2	3	4	6	8	10	12	14	16	18	20	24
Flanged End L	in	2.76	3.27	4.02	6.26	8.11	9.76	12.01	14.02	15.12	18.43	20.98	22.01	
	mm	70	83	102	159	206	248	305	356	384	468	533	559	
OD of flange D	in	5.51	6.77	8.19	11.06	13.78	17.05	20.39	22.68	25.20	27.68	29.69	35.35	
	mm	140	172	208	281	350	433	518	576	640	703	754	898	
Weight	RF	Kg	6	10	17	50	96	176	287	433	580	780	1250	2700

Description			Valve Size									
			2	3	4	6	8	10	12			
Flanged End L	in	2.76	3.39	4.13	6.26	8.11	10.00	12.01				
	mm	70.00	86.00	105.00	159.00	206.00	254.00	305.00				
OD of flange D	in	5.63	7.64	9.13	12.44	15.20	18.70	21.57				
	mm	143	194	232	316	386	475	548				
Weight	RF	Kg	9	16	30	65	124	223	395			



# Terms & Conditions

### Quotation

All prices are F.O.B. shipping point unless otherwise agreed or specified in the quotation. Prices are valid only for the duration indicated in the quotation and are subject to change without notice. Prices also do not include any federal, state or local taxes or other government charges.

### Design changes

We reserve the right to institute changes in material, design and specification without notice.

### Cancellation or changes

Orders placed with us are not subject to cancellation or changes without our prior consent. A cancellation charge or a price adjustment will be applicable unless otherwise agreed.

### Delivery

We will not be responsible for delays or failure to deliver due to causes beyond our control. Delivery of material to a common carrier shall be considered delivery to the Buyer. Claims for loss or any damage to material in transit shall be filed by the Buyer direct with the carrier. Claims for any shortage, corrections or deductions must be made in writing within 10 days after receipt of goods.

### Return of goods

Any return of goods will not be accepted without our prior authorization. Return goods should be of our manufacture, in clean and salable condition. A minimum charge of 35 percent of the invoice price will be made to cover the cost of handling and reconditioning. The freight for return goods shall be prepaid by Buyer.

### Limited warranty

DHV Industries, Inc. warrants to the original Buyer, not any third party, for products of our manufacture, for a period of one year after date of shipment, that its products will be free from defects in materials and workmanship under proper and normal use.

Any claim for defect goods should be by written notice to DHV Industries, Inc. immediately upon discovery. NO warranty shall apply to our product which has been modified or changed in design or function, misused, or improperly maintained. DHV Industries, Inc. shall be able to inspect claimed defects at original buyer's facility to determine its obligation. Without authorization of DHV Industries, Inc. any repair labor or material is not allowed. No goods may be returned without permission from DHV Industries, Inc.

This warranty does not extend beyond original sale price and does not extend to any claim for labor. Consequential damages, losses, whether directly or indirectly suffered or in any other manner relating to the defects.